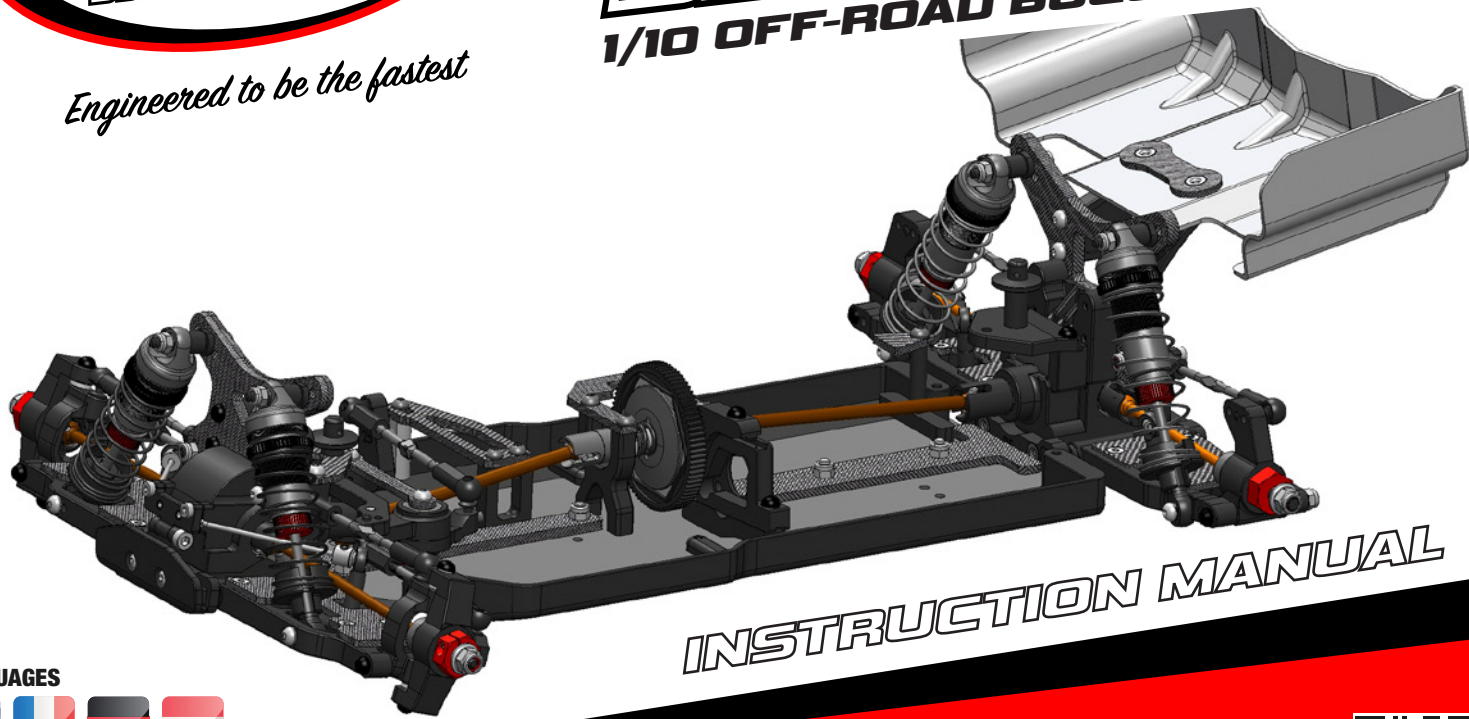




Engineered to be the fastest

SBX425

1/10 OFF-ROAD BUGGY PRO



INSTRUCTION MANUAL

LANGUAGES



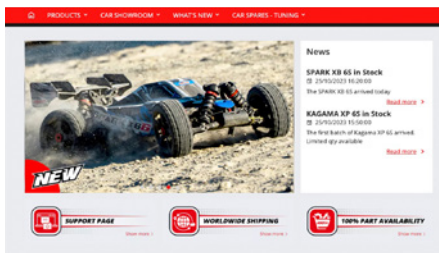
SBX-425 - Manual - version 3

- Download the latest version of the manual from www.corally.com
- Téléchargez la dernière version du manuel à partir de www.corally.com
- Download the latest version of the manual from www.corally.com
- Download de nieuwste versie van de handleiding van www.corally.com

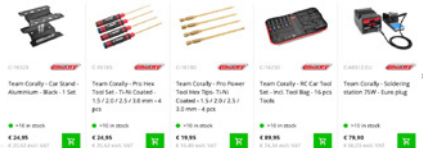


**STAY
TUNED...**

WWW.CORALLY.COM



Selected for You



RECOMMENDED ELECTRONICS

VULCAN II Modified - 3.5 Turns



- Adjustable Timing
- High power solder tabs
- Motor - Stator : 3-Slot Stator - 0.2 Steel Laminations
- Powerful sintered Neodymium magnet
- Improved stator design for higher efficiency
- Precision machined T6 aluminium motor can
- Compatible with all Sensored / Sensorless ESC
- Motor - Compliant: ROAR - EFRA - IFMAR - BRCA

CONTROLLER "CMM-10"

C-53030



- 220A continuous current and 860A burst current
- Compatible with 2S - 3S Li-Po
- Ultra compact design
- Aluminium case for improved heat dissipation
- 32-Bit MCU for Precision Control
- For sensored and sensorless motors
- Remote Programming with Corally iOS and Android App
- Real-Time Data at Your Fingertips
- Super built-in BEC, offering up to 5A boost current
- BEC switchable voltage between 6.0V and 7.4V
- Multiple programmable parameters

RECOMMENDED ACCESSORIES & TOOLS

VOLTAX 120C



Voltax 120C LiPo Battery

C-49505 5000mAh - 7.4V - Shorty 2S

Hex Drivers

Aluminium handle • Hardened tool tip



C-16185 Pro Hex Tool Set - Ti-Ni Coated -
1.5 / 2.0 / 2.5 / 3.0 mm - 4 pcs

Nut Drivers

Aluminium handle • Hardened tool tip



C-16190 Pro Nut Driver Set - Ti-Ni Coated -
4.0 / 5.5 / 7.0 / 8.0 mm - 4 pcs

TC Shock Pliers

For use with 1/12 - 1/10 - 1/8 scale



C-16300

Cutter Knife - Needle Nose Pliers

For plastic parts and circlips



100 Lock-It

Screwlock - Soft



C-13094

Shock-Oil

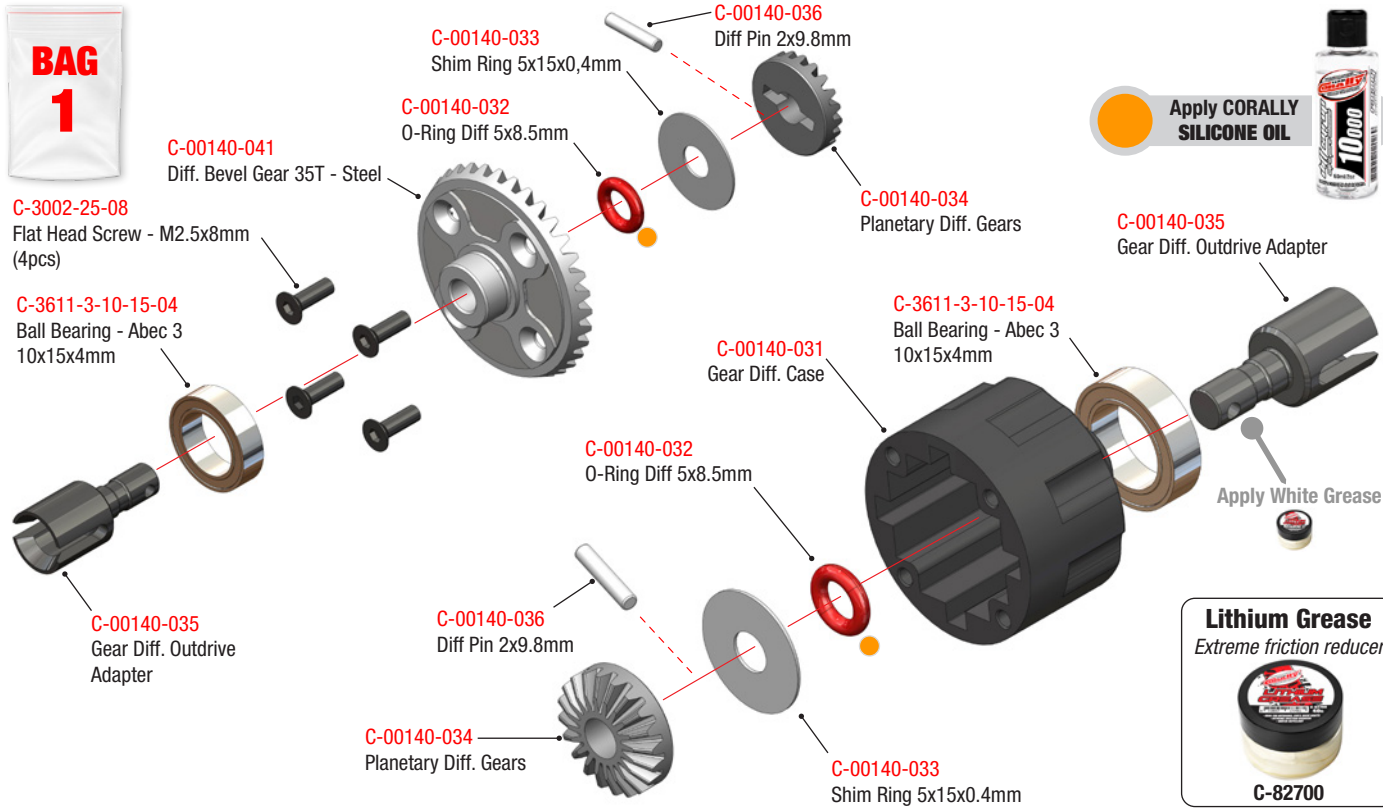
Ultra Pure Silicone



C-81260

1 FRONT & REAR DIFFERENTIAL

DIFFÉRENTIEL AVANT ET ARRIÈRE • DIFFERENTIEEL VOOR EN ACHTER • DIFFERENZIAL VORNE UND HINTEN



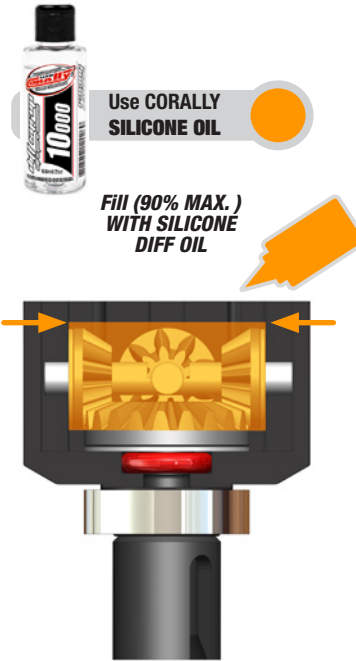
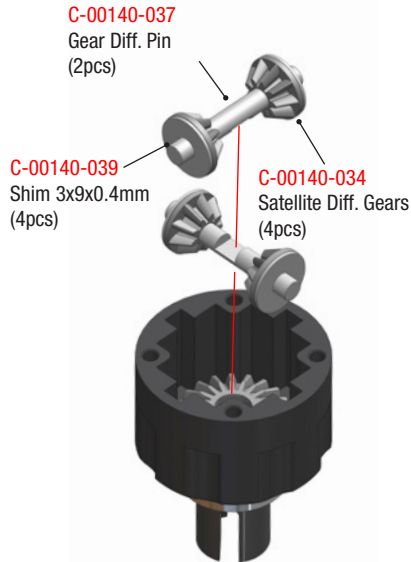


2 FRONT & REAR DIFFERENTIAL

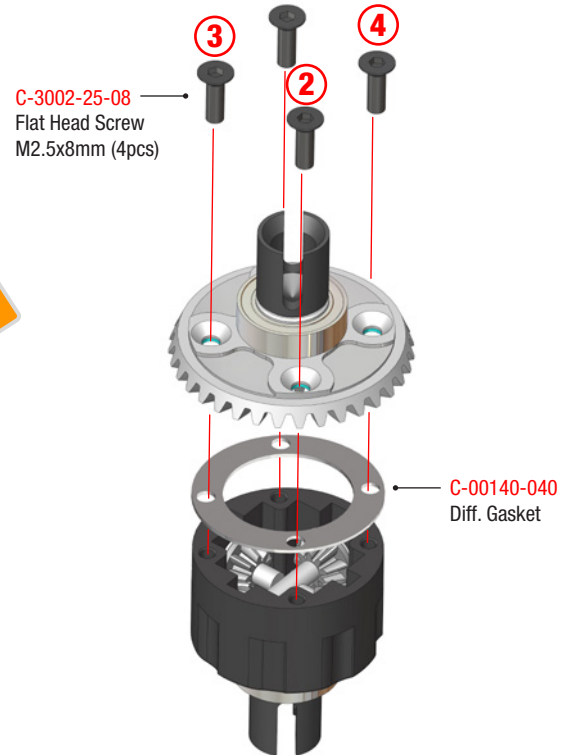
DIFFÉRENTIEL AVANT ET ARRIÈRE • DIFFERENTIEEL VOOR EN ACHTER • DIFFERENZIAL VORNE UND HINTEN



FRONT : Fill with Silicone Diff Syrup 15000 cps
REAR: Fill with Silicone Diff Syrup 10000 cps



Tightening Sequence 1

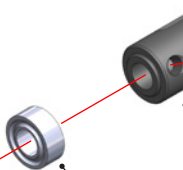
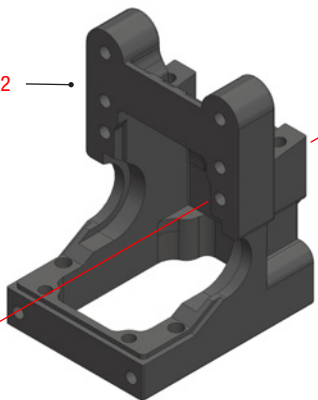


3 GEAR BOX ASSEMBLY - FRONT & REAR
ASSEMBLAGE DU BOITIER DE TRANSMISSION • VERSNELLINGSBAKMONTAGE - VOOR & ACHTER • GETRIEBEMONTAGE - VORNE UND HINTEN



BAG
2

C-00140-002
Gearbox

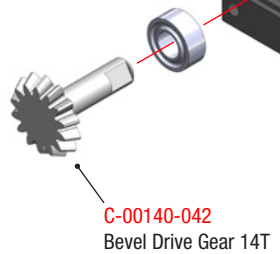


C-00140-013
Drive Shaft Outdrive Cup

C-3004-40-04
Set Screw M4x4mm

C-3611-3-05-10-04
Ball Bearing - 5x10x4mm
(2pcs)

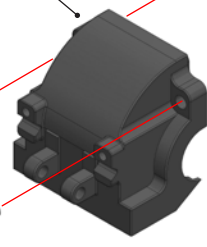
Apply CORALLY
LOCK-IT 100



C-00140-042
Bevel Drive Gear 14T

Apply Lithium Grease

C-00140-044
Gearbox Diff. Cover



C-3003-30-10
Button Head Screw
M3x10mm (2pcs)

Lithium Grease
Extreme friction reducer



C-82700

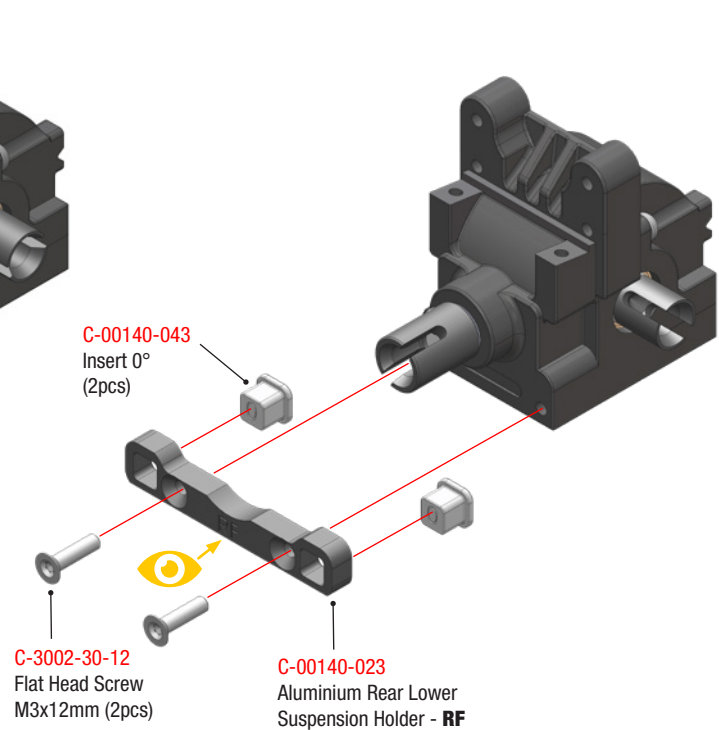
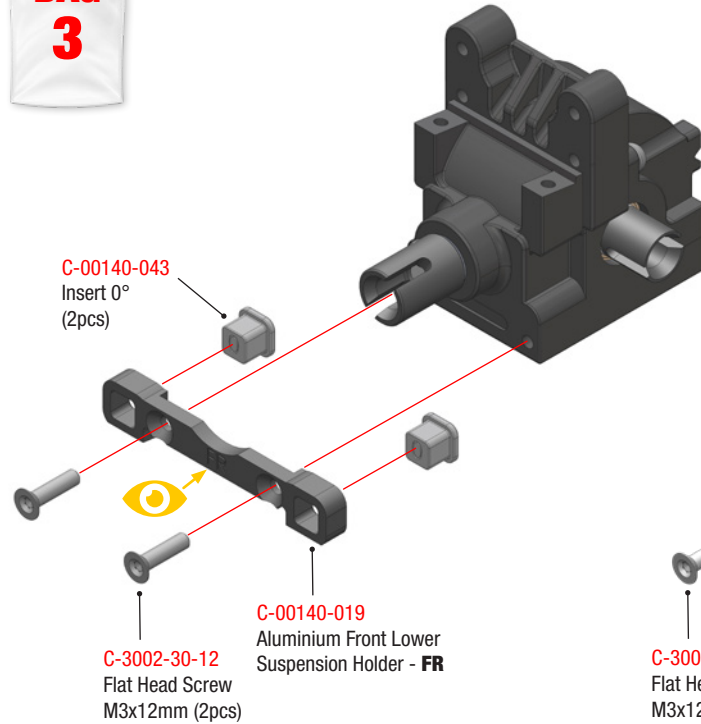


4 **GEAR BOX ASSEMBLY - FRONT & REAR**
 ASSEMBLAGE DU BOITIER DE TRANSMISSION • VERSNELLINGSBAKMONTAGE - VOOR & ACHTER • GETRIEBEMONTAGE - VORNE UND HINTEN



FRONT GEAR BOX

REAR GEAR BOX

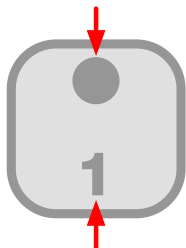


ECCENTRIC INSERT OFFSETS SETTINGS

RÉGLAGES DE L'INSERT EXCENTRIQUE • EXCENTRISCHE INZETSTUK INSTELLINGEN • EXZENTEREINSATZ-EINSTELLUNGEN

THE DOT INDICATES THE HOLE POSITION

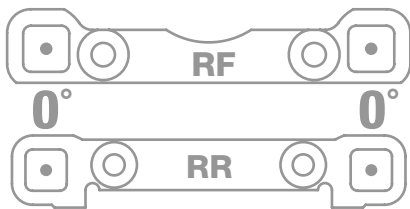
LE POINT INDIQUE LA POSITION DE L'ORIFICE
DE PUNT GEEFT DE POSITIE VAN HET GAT AAN
DER PUNKT ZEIGT DIE POSITION DES LOCHS AN



THE NUMBER INDICATES THE VALUE (°)

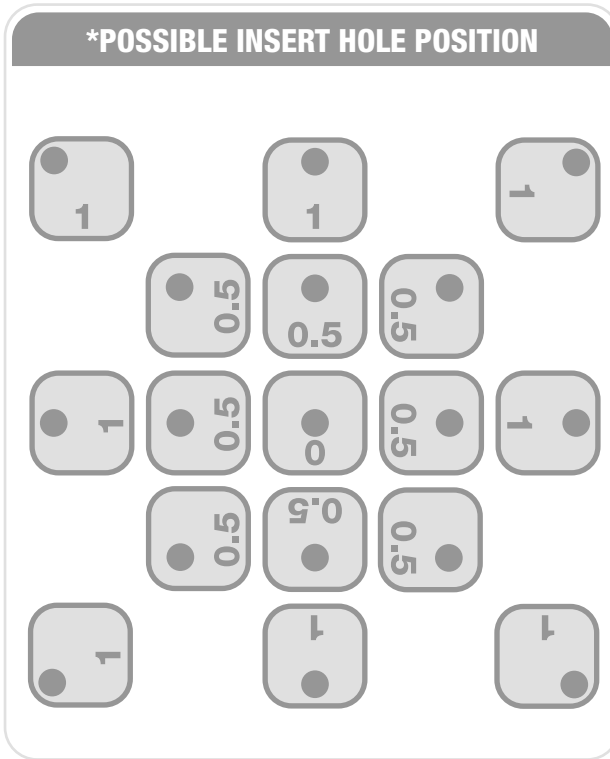
LE CHIFFRE INDIQUE LA VALEUR EN (°)
HET GETAL GEEFT DE WAARDE IN (°) AAN
DIE ZAHL GIBT DEN WERT IN (°) AN

***FACTORY SETTINGS = 0°**



*Réglage d'usine : 0° • Fabrieksinstelling 0° • Werkseinstellung 0°

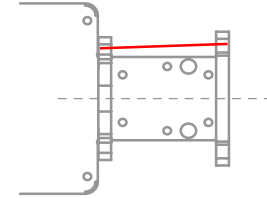
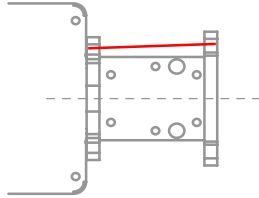
*POSSIBLE INSERT HOLE POSITION



*Position possible de l'insert • Mogelijke plaats van inzet • Mögliche Einsatzposition

0 5 10 15 20

TOE ANGLE



TOE ANGLE 0.5°

		2°
		1,5°
		1°
		2,5°
		2°
		1,5°
		3°
		2,5°
		2°

TOE ANGLE 1°

		2°
		1°
		0°
		3°
		2°
		1°
		4°
		3°
		2°

ANTI-SQUAT ANGLE



ANTI-SQUAT ANGLE 0.5°

		2°
		1,5°
		1°
		2,5°
		2°
		1,5°
		3°
		2,5°
		2°

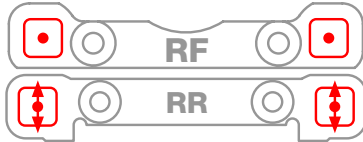
ANTI-SQUAT ANGLE 1°

		2°
		1°
		0°
		3°
		2°
		1°
		4°
		3°
		2°



0 5 10 15 20

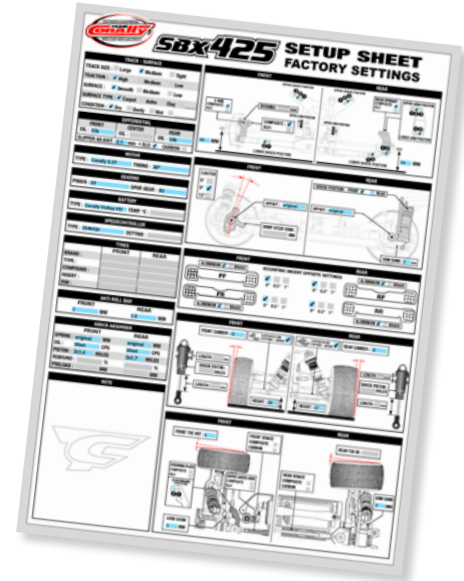
ROLL CENTRE



ROLL CENTRE

		+0,70mm
		+0,35mm
		0mm
		-0,35mm
		-0,70mm

Download the Factory Setup Sheet

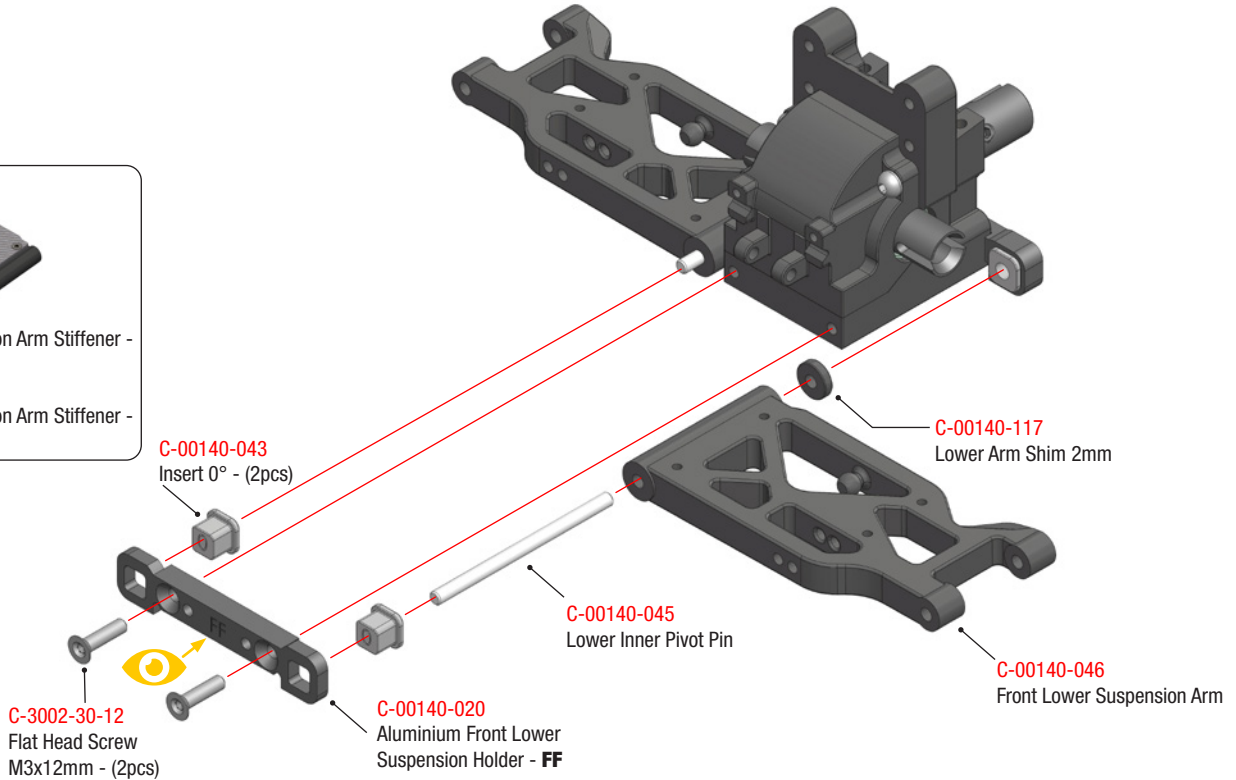


<https://corally.com/en/customer-service/downloads-manuals>

5

FRONT SUSPENSION ARMS ASSEMBLY - L&R

BRAS DE SUSPENSION AVANT - G&D • VOORWIELOPHANGING - L&R • MONTAGE DER VORDEREN QUERLENKER - L&R

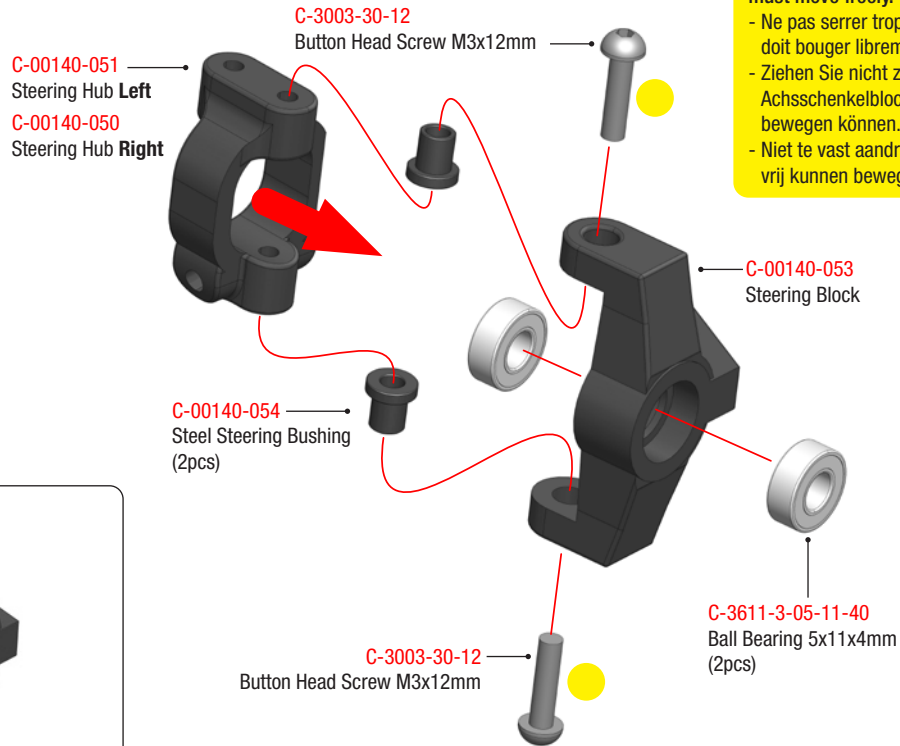




6

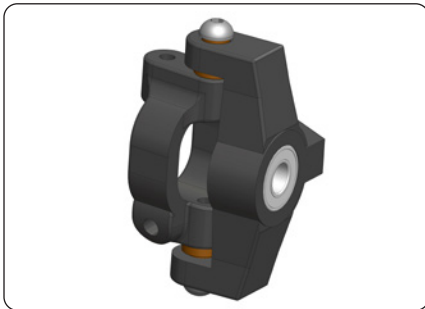
FRONT HUB CARRIER ASSEMBLY - L&R

SUPPORT DE MOYEU AVANT - G&D • VOORNAAFDRAGERS - L&R • VORDERRADNABENTRÄGER - L&R

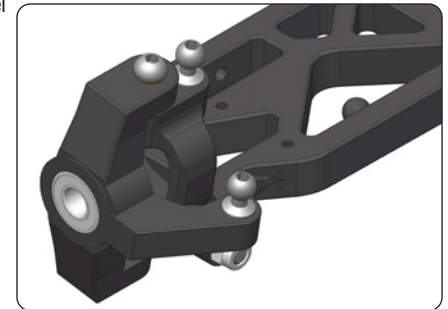
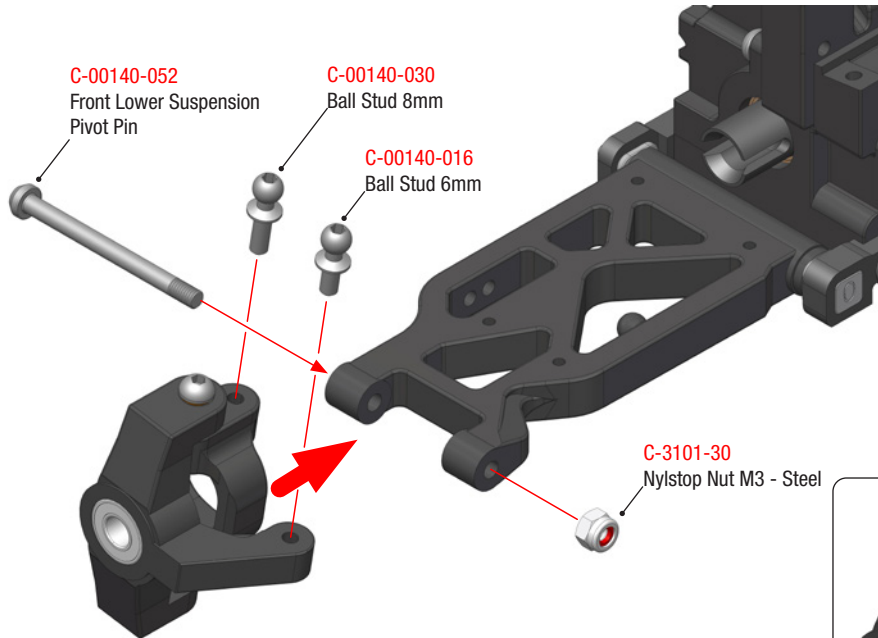


Do not overtighten, the steering block must move freely.

- Ne pas serrer trop fort, le bloc fusée doit bouger librement.
- Ziehen Sie nicht zu fest an, der Achsschenkelblock muss sich frei bewegen können.
- Niet te vast aandraaien, de fusee moet vrij kunnen bewegen.



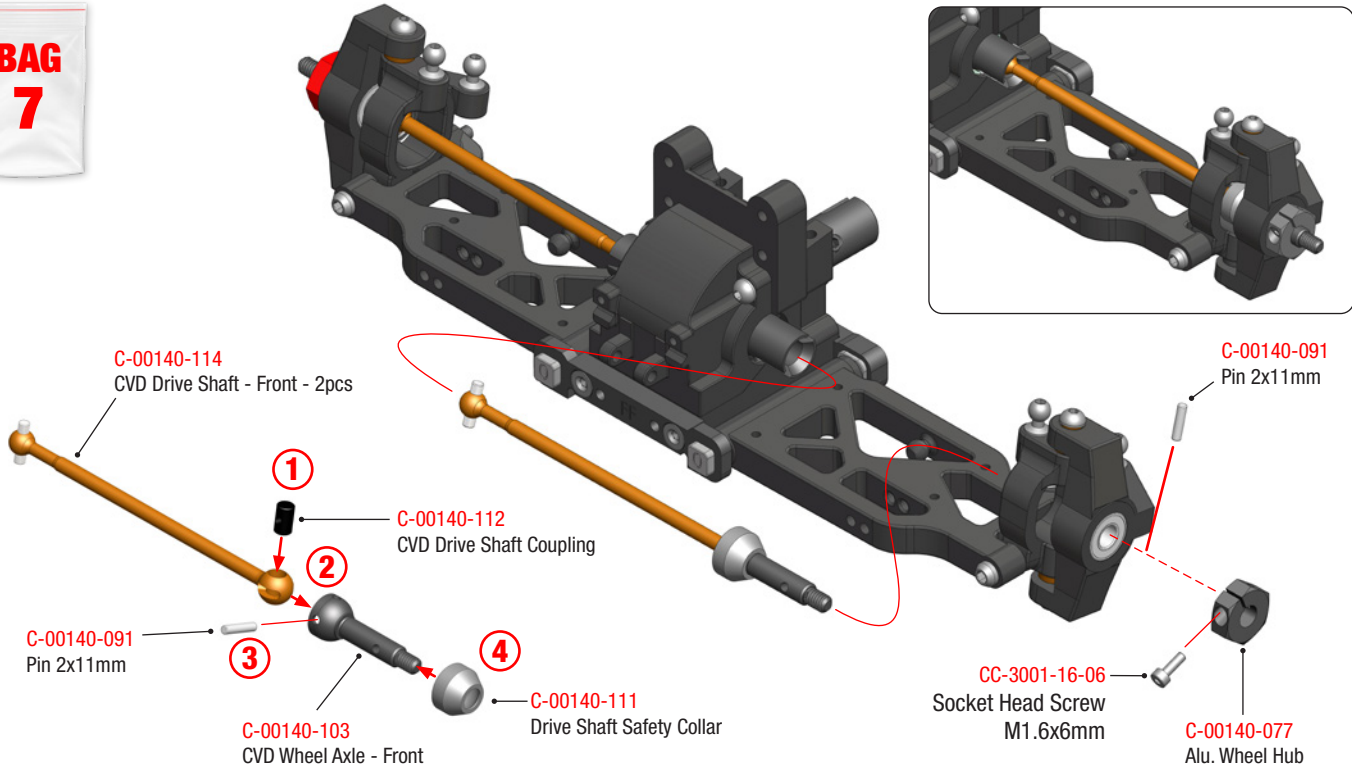
7 **FRONT SUSPENSION ASSEMBLY - L&R**
ASSEMBLAGE DE LA SUSPENSION AVANT - G&D • MONTAGE VAN DE VOORWIELOPHANGING - L&R • VORDERRADAUFHÄNGUNG - L&R



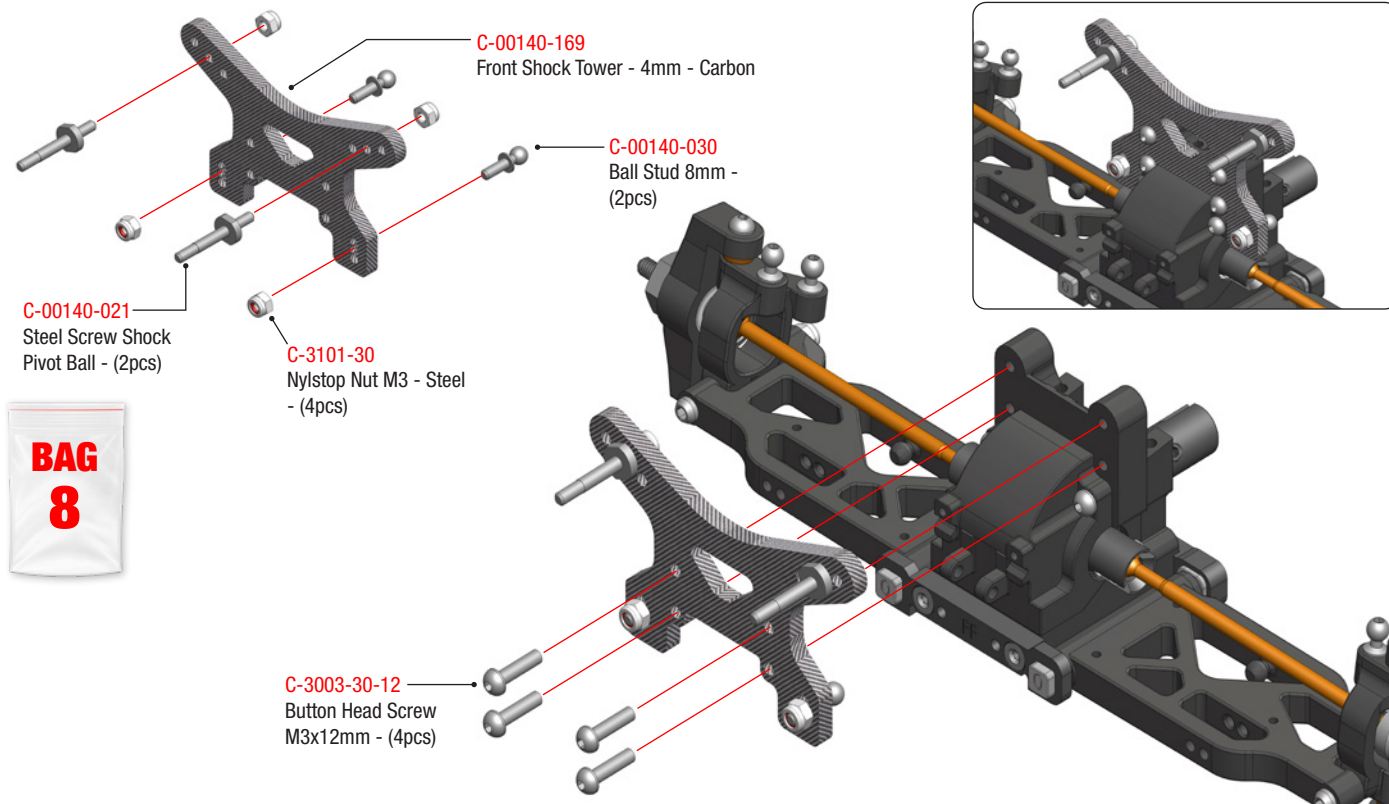


8 FRONT DRIVE SHAFT ASSEMBLY - L&R

ASSEMBLAGE DE LA TRANSMISSION AVANT - G&D • VOORSTE TRANSMISSIEASSEMBLAGE - L&R • MONTAGE DES VORDEREN GETRIEBES - L&R



9 FRONT SHOCK TOWER ASSEMBLY
MONTAGE DU SUPPORT D'AMORTISSEURS AVANT • MONTAGE VAN DE VOORSTE SCHOKDEMPEURSTEUN • STOSSDÄMPFERBRÜCKE VORNE

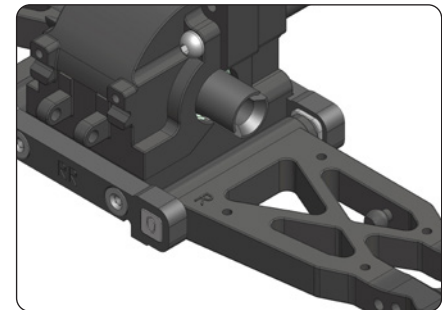
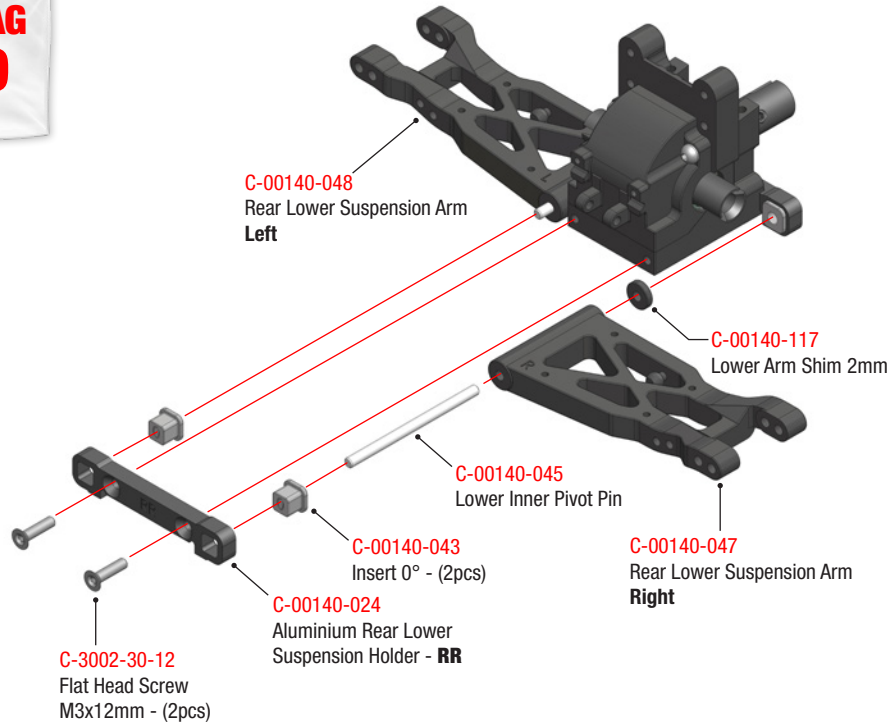




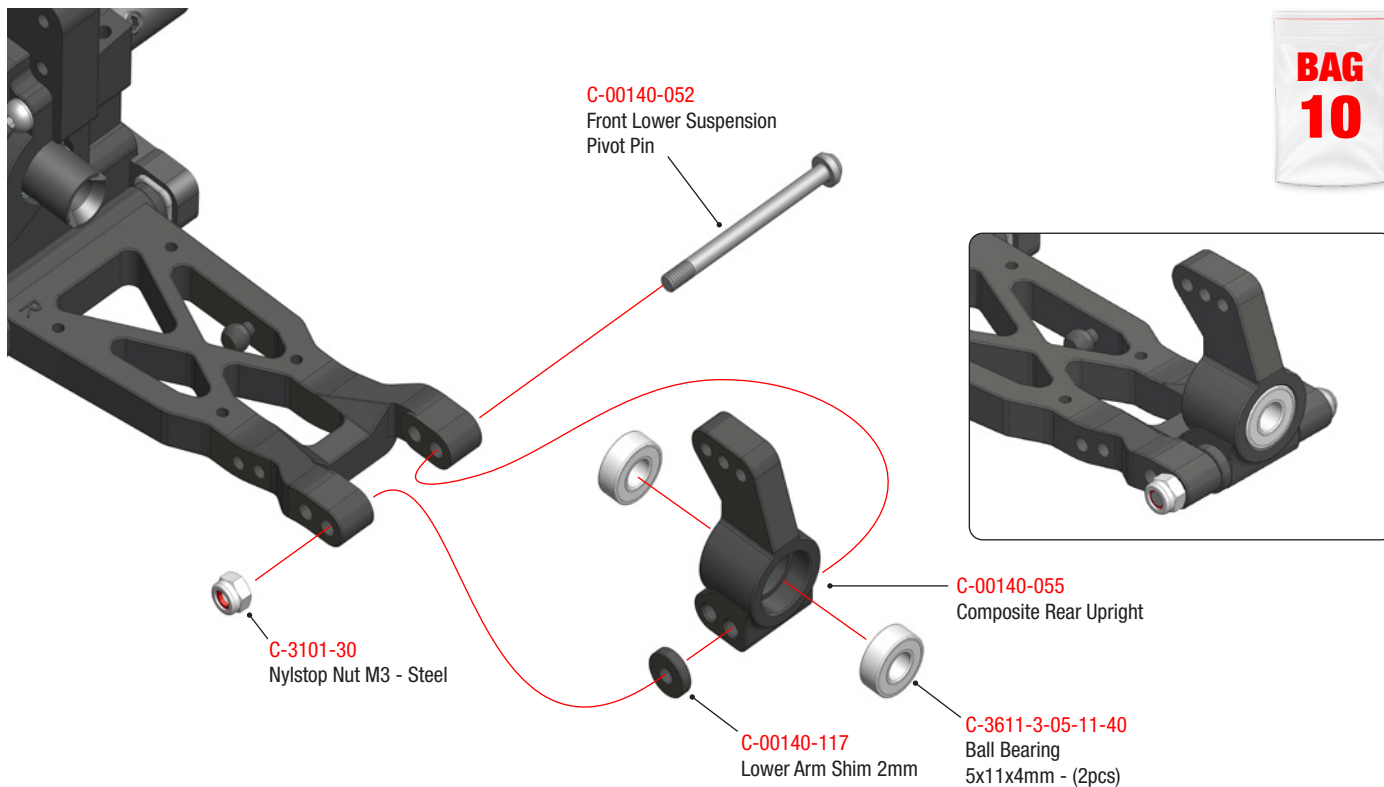
10

REAR SUSPENSION ASSEMBLY

MONTAGE DE LA SUSPENSION ARRIERE • MONTAGE VAN DE ACHTERWIELOPHANGING • HINTERRADAUFHÄNGUNG



11 **REAR HUB CARRIER ASSEMBLY - L&R**
ASSEMBLAGE DU SUPPORT DE MOYEU ARRIÈRE - G&D • ACHTERNAAFDRAGERS - L&R • HINTERE NABENTRÄGERBAUGRUPPE - L&R





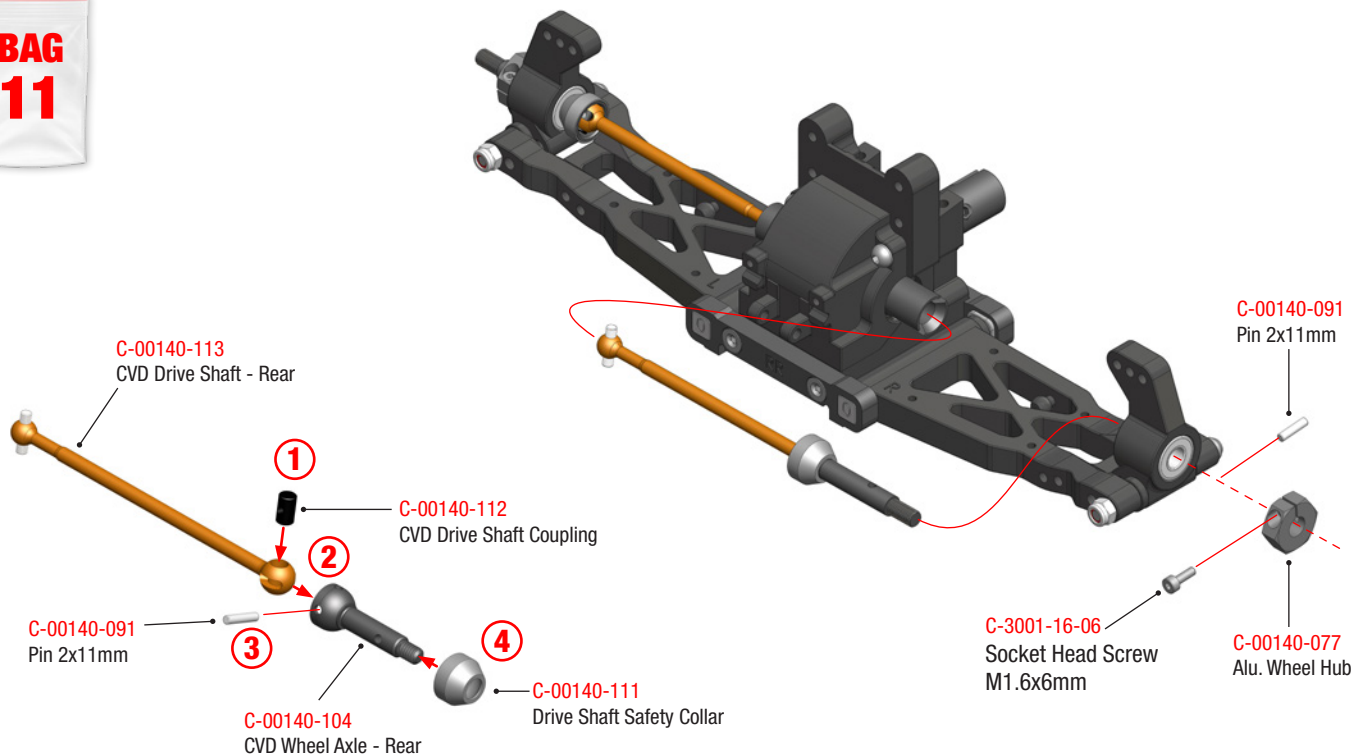
12

REAR DRIVE SHAFT ASSEMBLY - L&R

ASSEMBLAGE DE LA TRANSMISSION ARRIERE - G&D • ACHTERSTE TRANSMISSIEASSEMBLAGE - L&R • MONTAGE DES HINTEREN ANTRIEBS - L&R



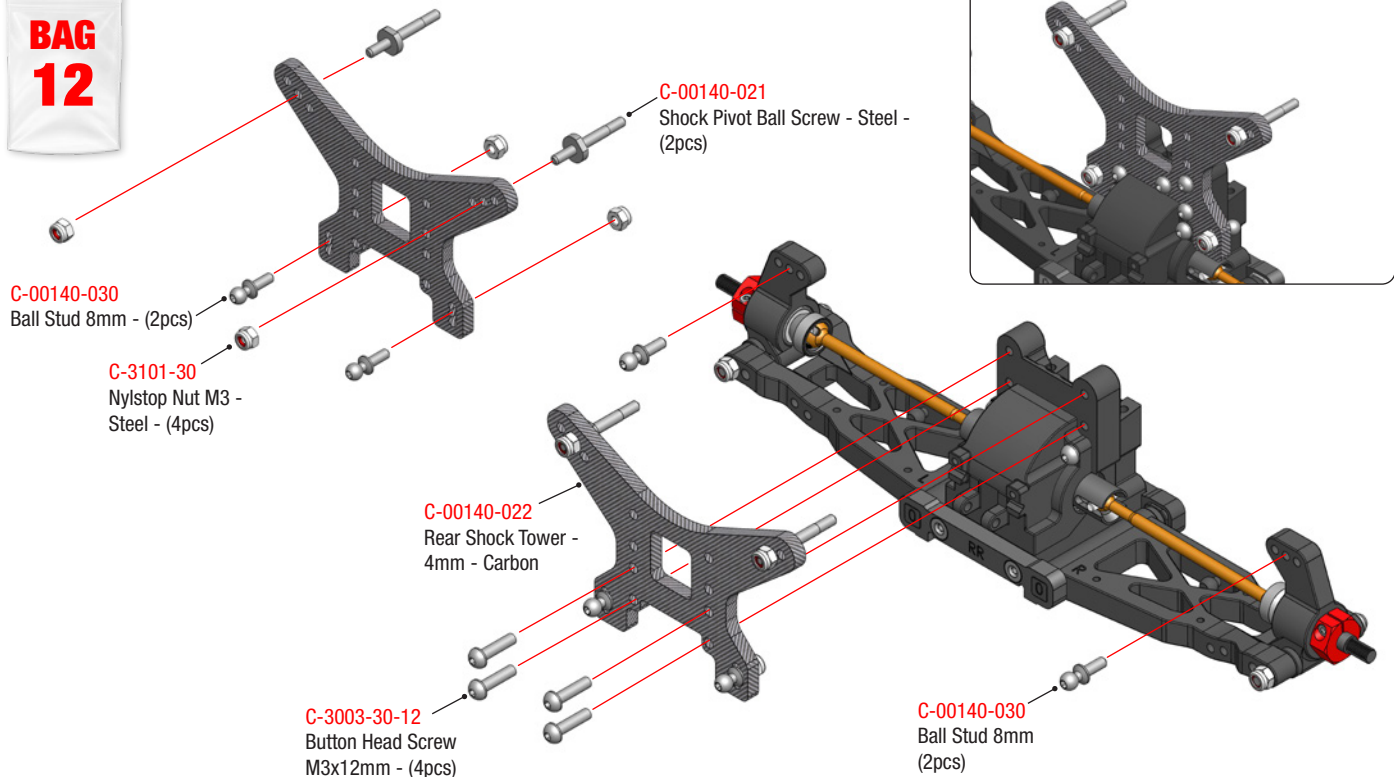
BAG
11



13

REAR SHOCK TOWER ASSEMBLY

MONTAGE DU SUPPORT D'AMORTISSEURS ARRIERE • MONTAGE VAN DE ACHTERSCHOKDEMPERSTEUN • MONTAGE DES HINTEREN STOSSDÄMPFERHALTERS

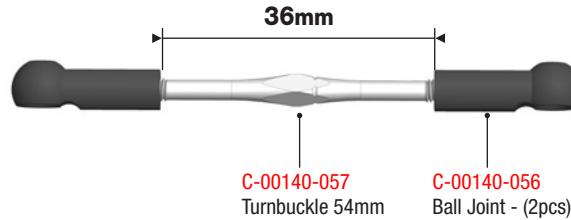




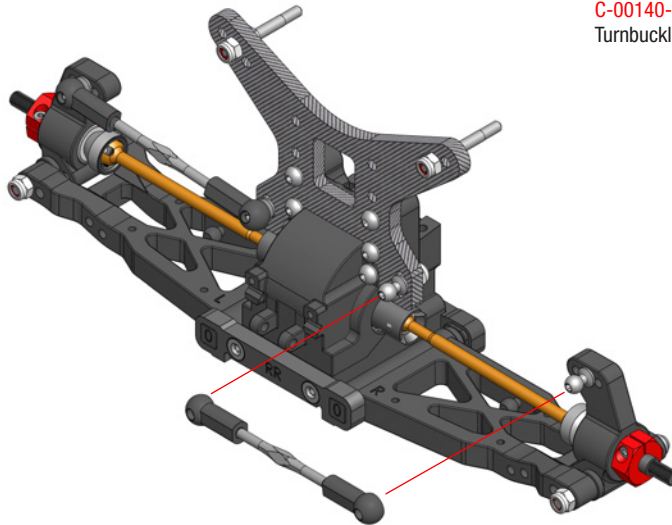
14

REAR SUSPENSION UPPER ARMS ASSEMBLY - L&R

MONTAGE DES BRAS DE SUSPENSION AR • MONTAGE VAN DE ACHTERSTE OPHANGINGSARMEN • MONTAGE DER HINTEREN LENKER



2x



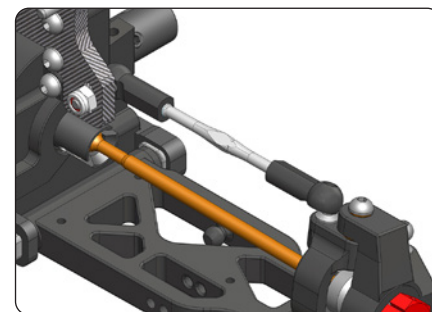
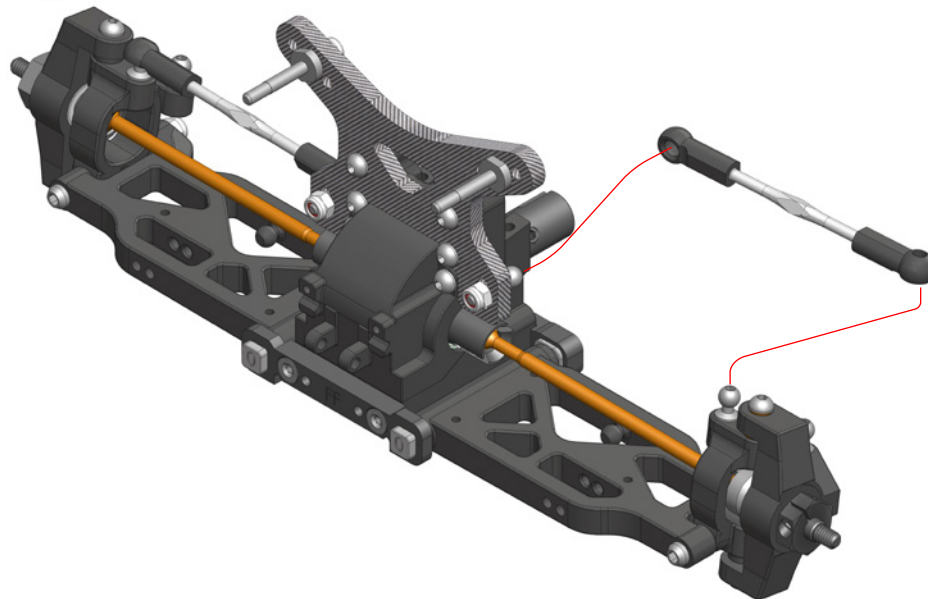
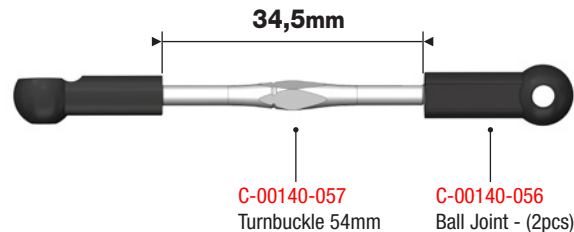
C-16300

- Install the pivot ball using the Corally Professional Pliers
- Installez la boule de pivot à l'aide de la pince Corally.
- Monteer de draaikogel met de Corally-tang.
- Montieren Sie die Gelenkkugel mit der Corally-Zange

15 **FRONT SUSPENSION UPPER ARMS ASSEMBLY - L&R**
MONTAGE DES BRAS DE SUSPENSION AV • MONTAGE VAN DE VOORSTE OPHANGINGSARMEN • MONTAGE DER VORDEREN QUERLENKER

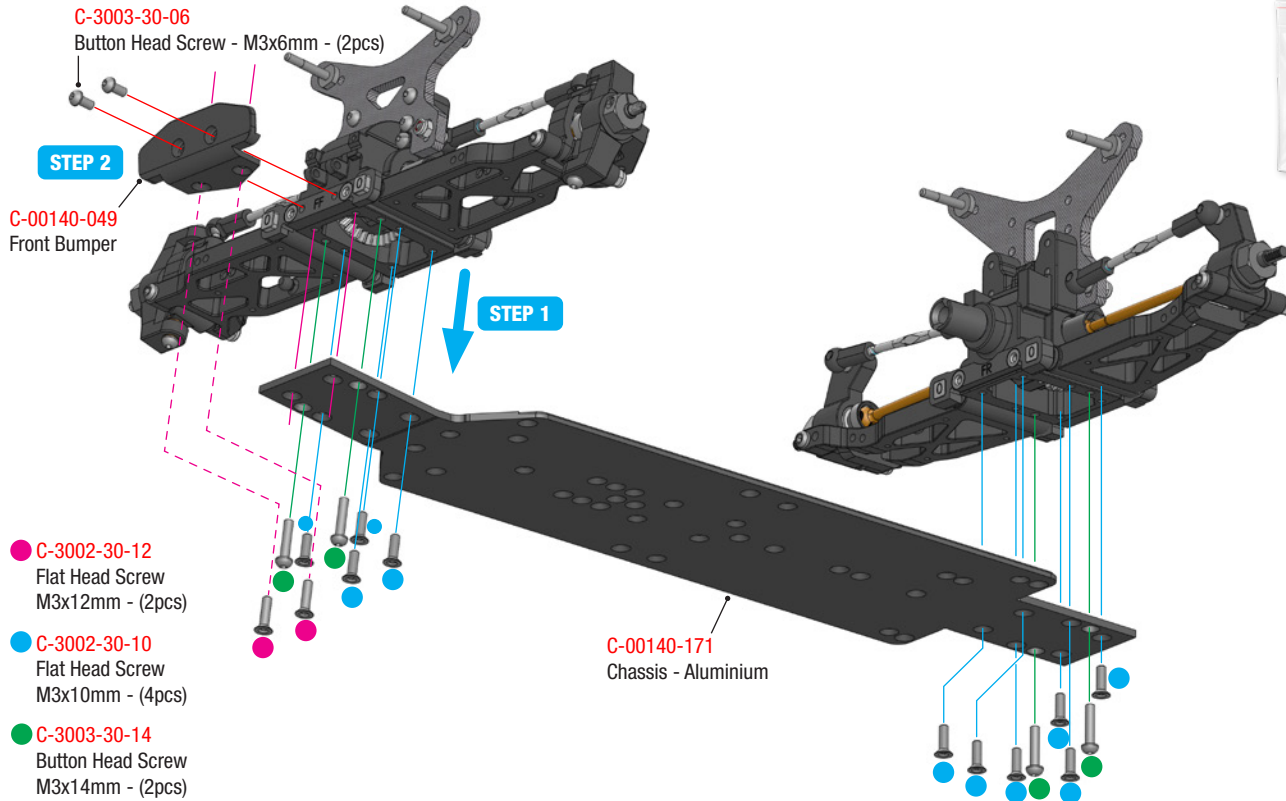


2x



16 DRIVE TRAINS INSTALLATION

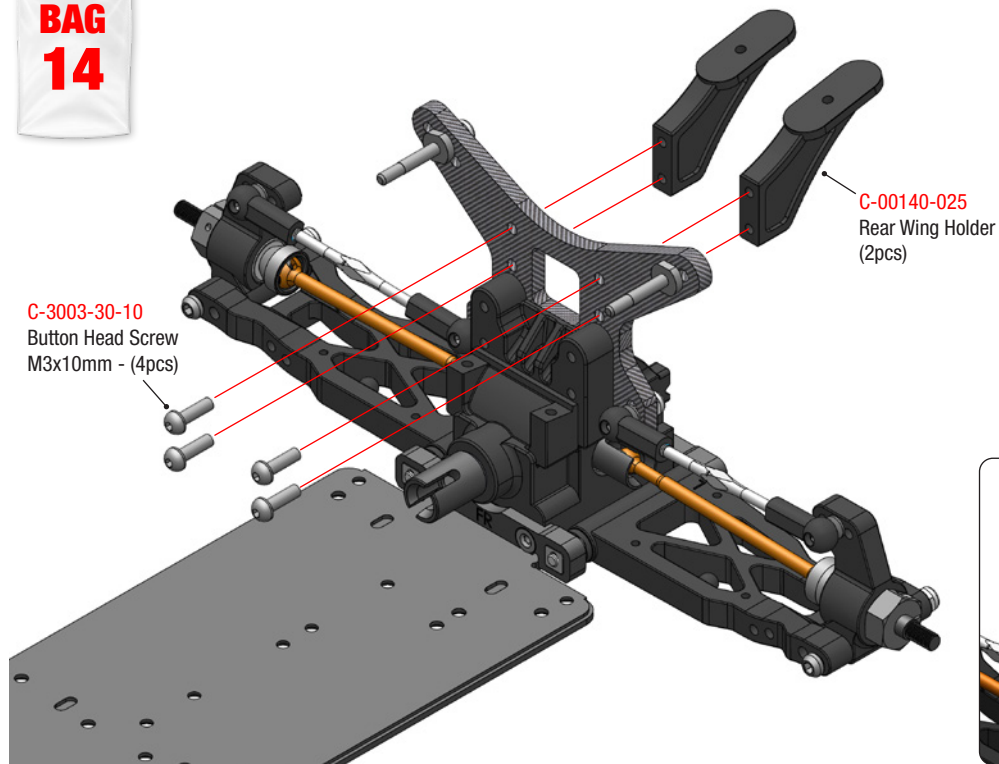
MONTAGE DES TRANSMISSIONS AV & AR • MONTAGE VAN DE VOORSTE EN ACHTERSTE TRANSMISSIES • MONTAGE DER VORNE & HINTEN GETRIEBE



17

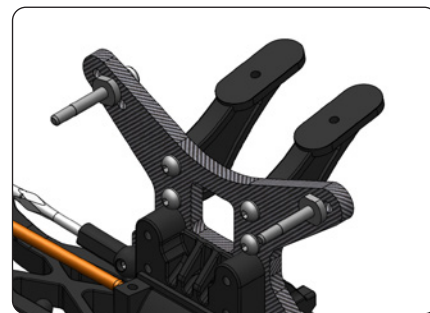
REAR WING SUPPORT ASSEMBLY

MONTAGE DU SUPPORT D'AILERON ARRIERE • ACHTERSTE VLEUGELSTEUN • HECKFLÜGELHALTERUNG



C-3003-30-10
Button Head Screw
M3x10mm - (4pcs)

C-00140-025
Rear Wing Holder
(2pcs)

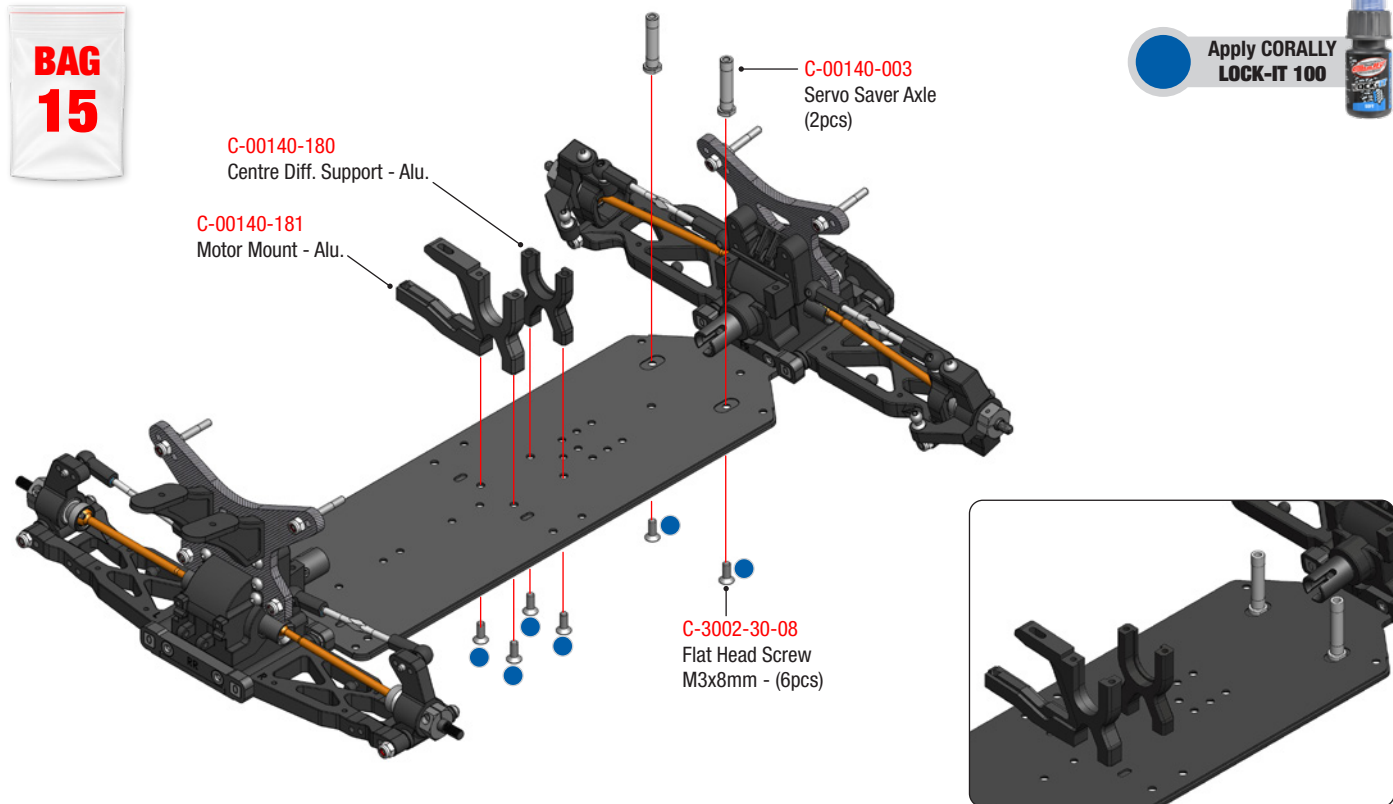




18

Centre DIFF SUPPORT ASSEMBLY

SUPPORT DE DIFFÉRENTIEL CENTRAL • MIDDELSTE DIFF STEUN MONTAGE • MITTELDIFFSTÜTZE



19

SIDE GUARDS INSTALLATION

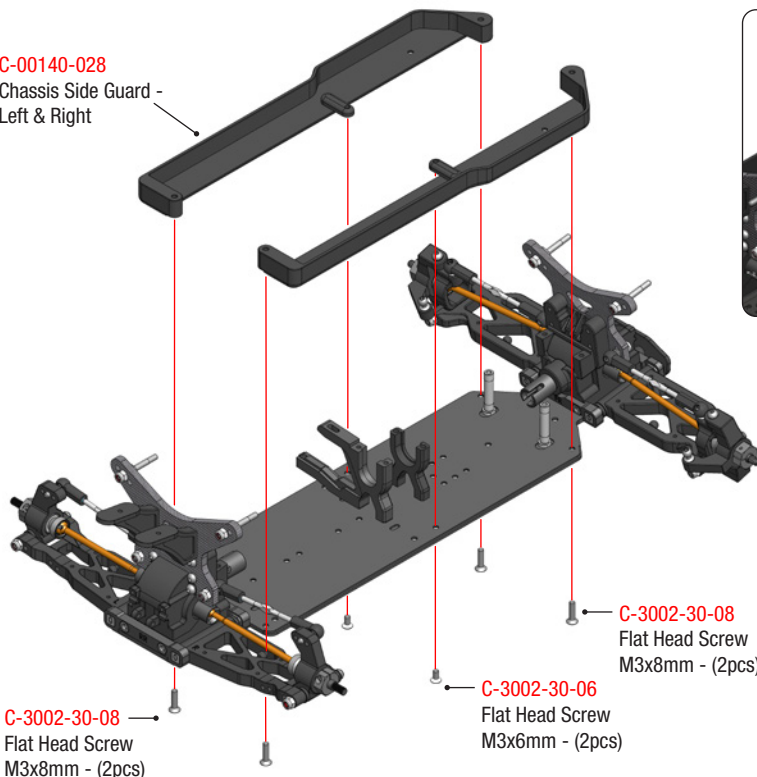
INSTALLATION DES PROTECTIONS LATÉRALES • INSTALLATIE VAN ZIJHEKKEN • INSTALLATION DES SEITENSCHUTZES



BAG
15

C-00140-028

Chassis Side Guard -
Left & Right



C-3002-30-08

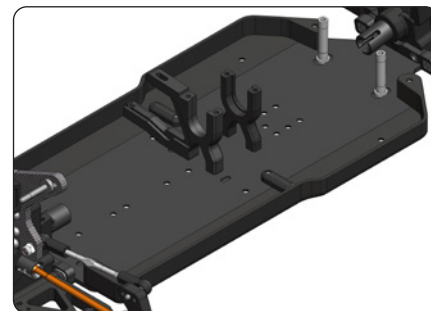
Flat Head Screw
M3x8mm - (2pcs)

C-3002-30-06

Flat Head Screw
M3x6mm - (2pcs)

C-3002-30-08

Flat Head Screw
M3x8mm - (2pcs)





20

SERVO-SAVER ASSEMBLY

INSTALLATION DU SAUVE_SERVO • SERVO-SAVER-MONTAGE • SERVO-SAVER-MONTAGE



C-00140-016

Ball Stud 6mm

C-00140-007

Servo Saver Tube

C-00140-006

Servo Saver Part C

C-00140-005

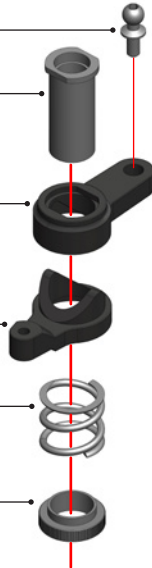
Servo Saver Part B

C-00140-008

Servo Saver Spring

C-00140-009-B

Servo Saver Adjuster Ring



C-00140-012

Composite Steering Plate

C-00140-016

Ball Stud 6mm
(2pcs)

C-00140-011

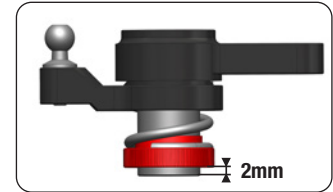
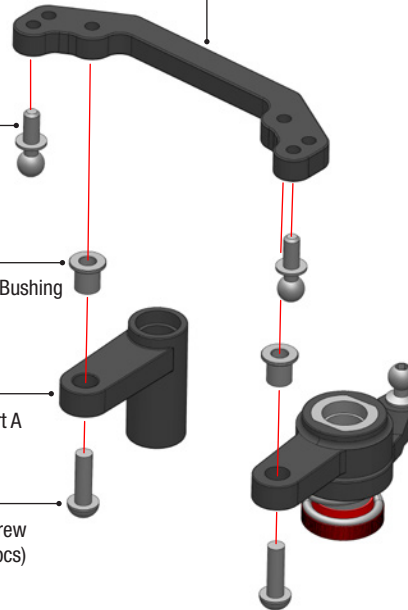
Steering Plate Bushing
(2pcs)

C-00140-004

Servo Saver Part A

C-3002-30-10

Button Head Screw
M3x10mm - (2pcs)



OPTION PART



C-00140-149

Servo Saver Part B - Aluminium



C-00140-147

Steering Plate - Aluminium

21

SERVO-SAVER ASSEMBLY

INSTALLATION DU SAUVE_SERVO • SERVO-SAVER-MONTAGE • SERVO-SAVER-MONTAGE

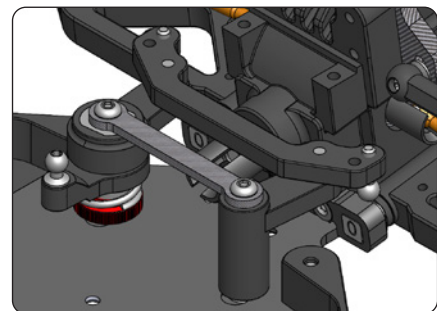
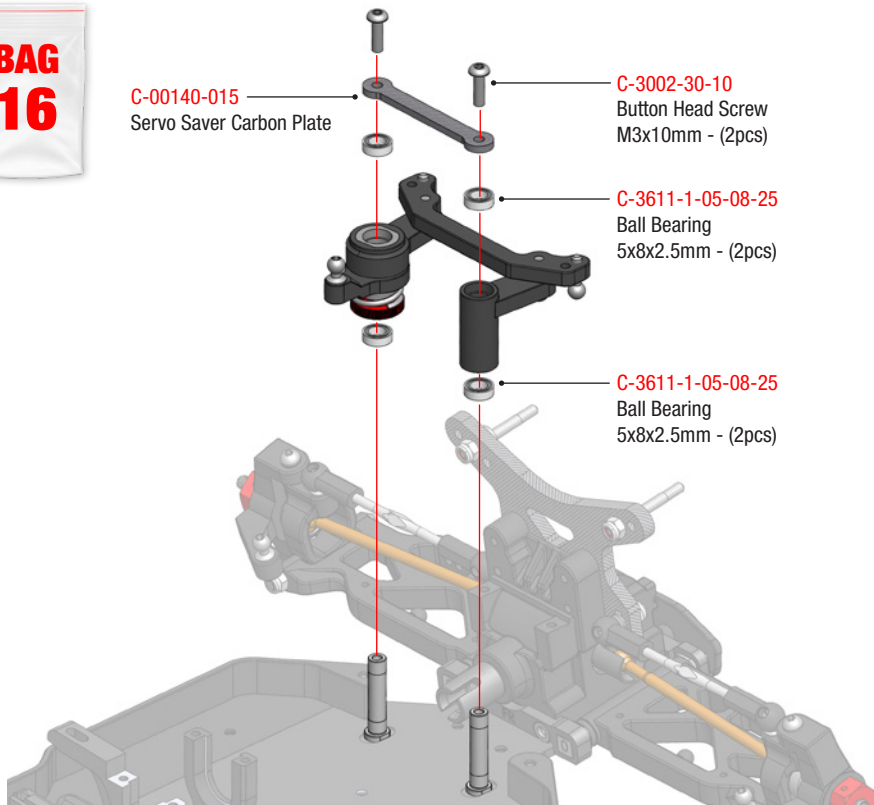


C-00140-015
Servo Saver Carbon Plate

C-3002-30-10
Button Head Screw
M3x10mm - (2pcs)

C-3611-1-05-08-25
Ball Bearing
5x8x2.5mm - (2pcs)

C-3611-1-05-08-25
Ball Bearing
5x8x2.5mm - (2pcs)





22

STEERING LINKS ASSEMBLY

MONTAGE DES TIRANTS DE DIRECTION • MONTAGE STUURSTANGEN • MONTAGE DER LENKGESTÄNGE

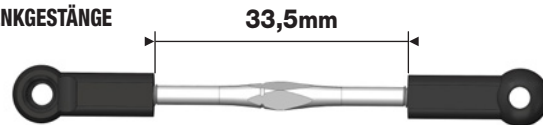


C-00140-056

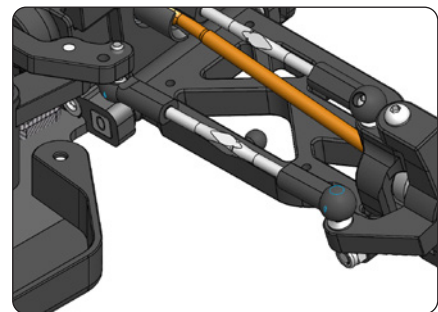
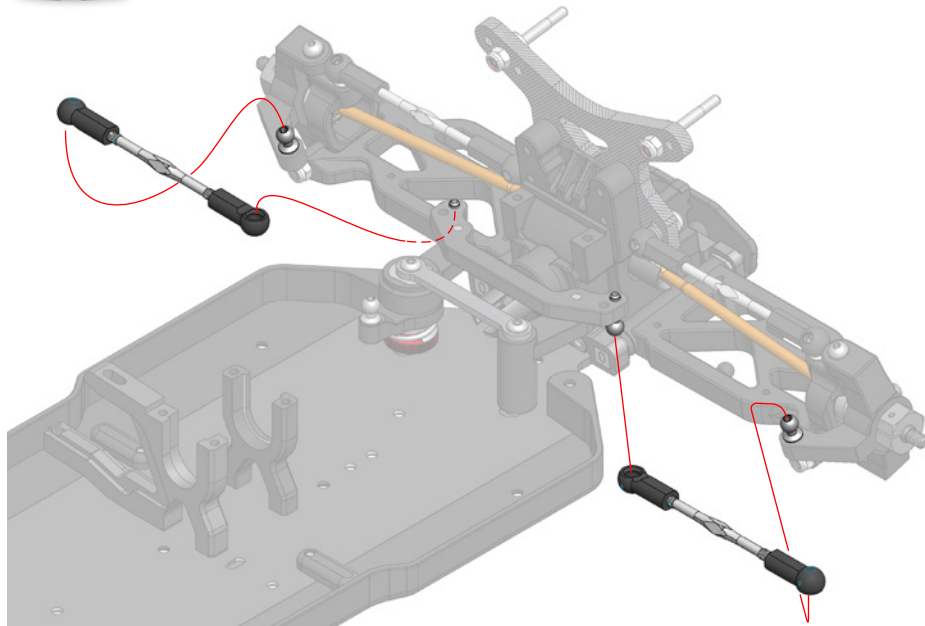
Turnbuckle 54mm

C-00140-057

Ball Joint - (2pcs)



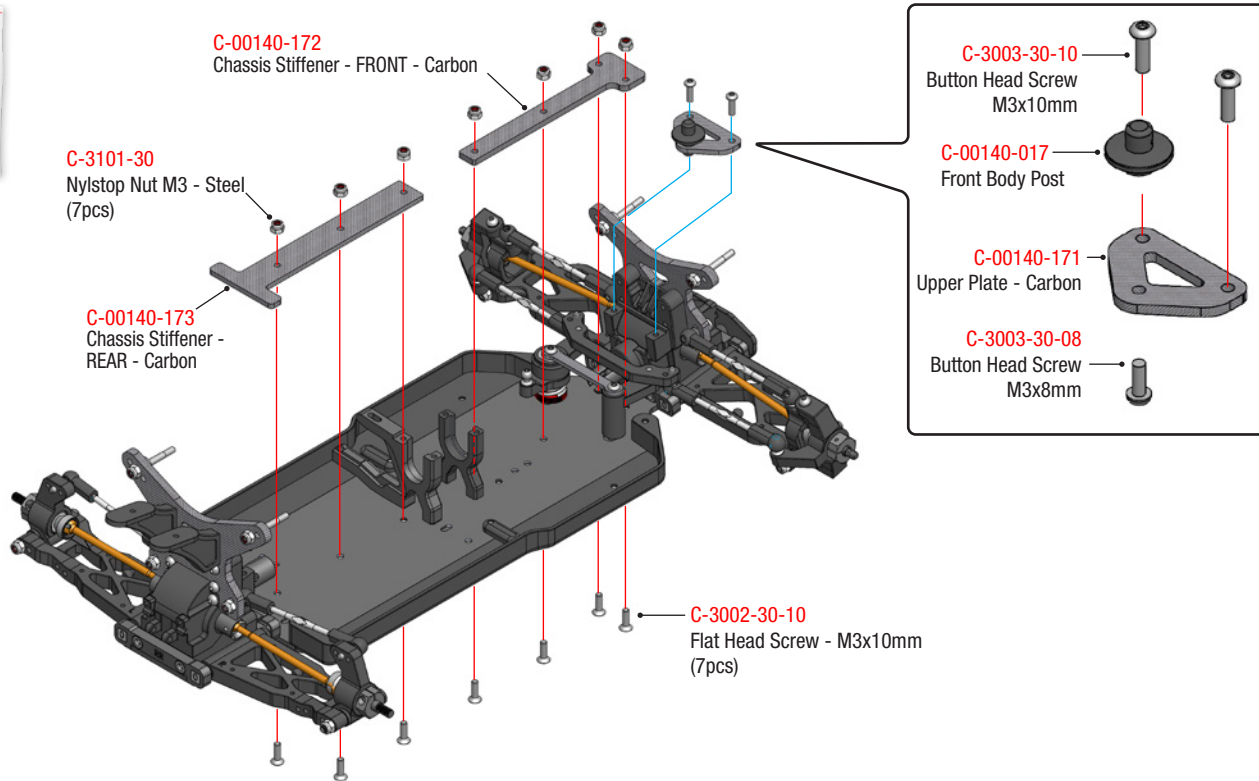
2x



23

FRONT CHASSIS STIFFENER ASSEMBLY

INSTALLATION DU RAIDISSEUR AV • MONTAGE VAN DE VOORSTE CHASSISVERSTEVIGING • MONTAGE DER VORDEREN CHASSISVERSTEIFUNG



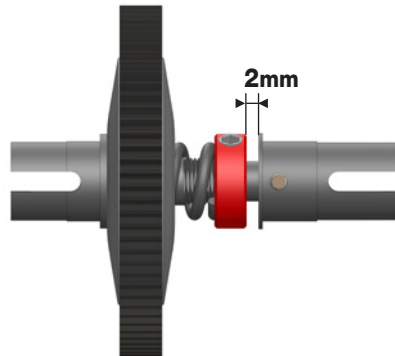
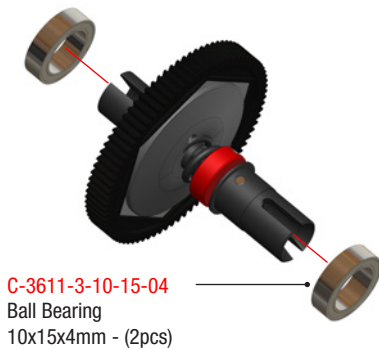
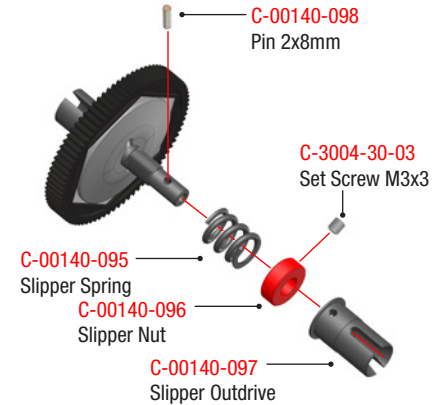
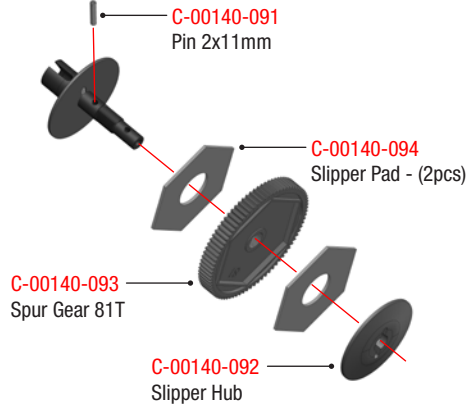
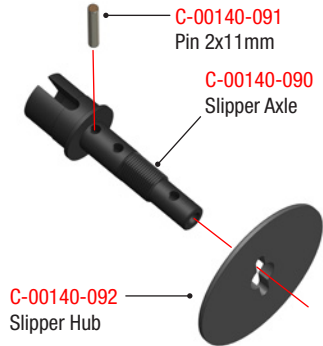


24

SLIPPER ASSEMBLY

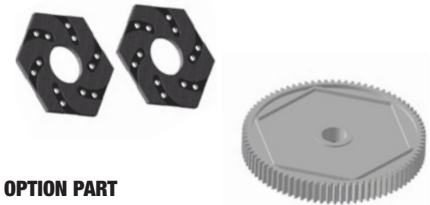
INSTALLATION DU SLIPPER • MONTAGE VAN DE SLIPPER • SLIPPER-INSTALLATION

BAG
18



OPTION PART

C-00140-135 Slipper Pad - Carbon



OPTION PART

C-00140-137-78 Spur Gear 48DP - 78 Teeth - Delrin

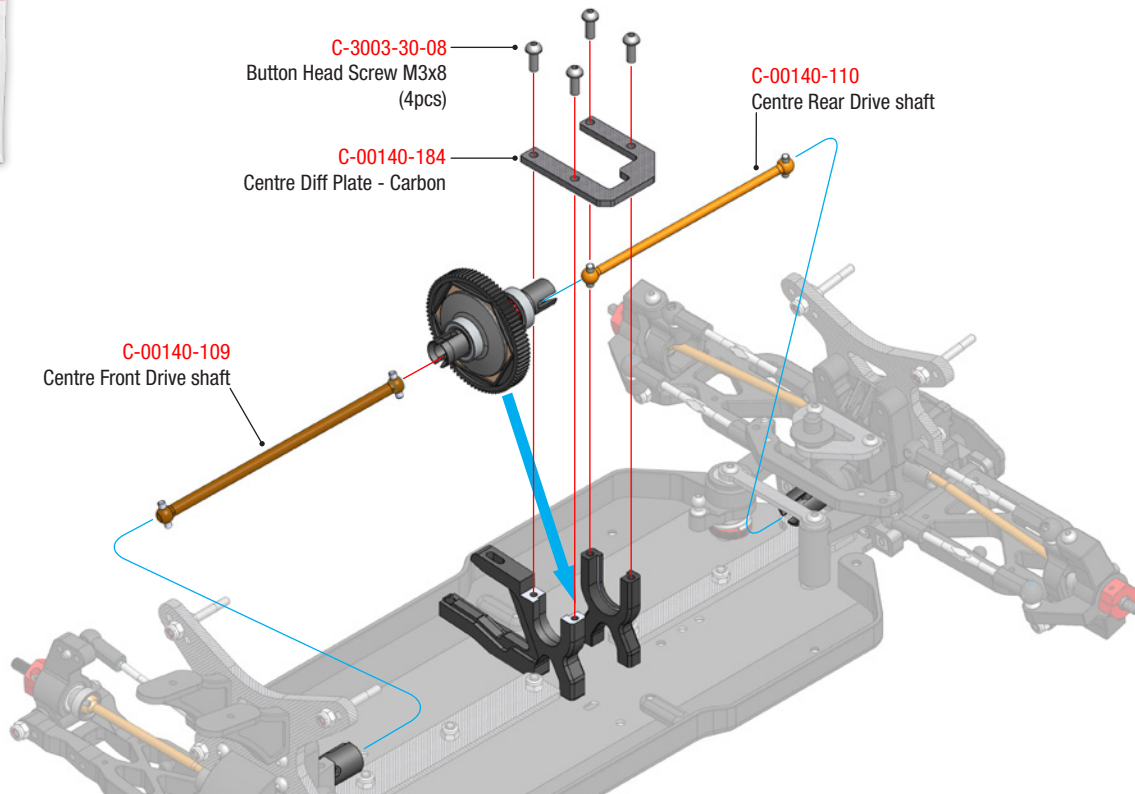
C-00140-137-81 Spur Gear 48DP - 81 Teeth - Delrin

C-00140-137-84 Spur Gear 48DP - 84 Teeth - Delrin

25

SLIPPER ASSEMBLY

INSTALLATION DU SLIPPER • MONTAGE VAN DE SLIPPER • SLIPPER-INSTALLATION





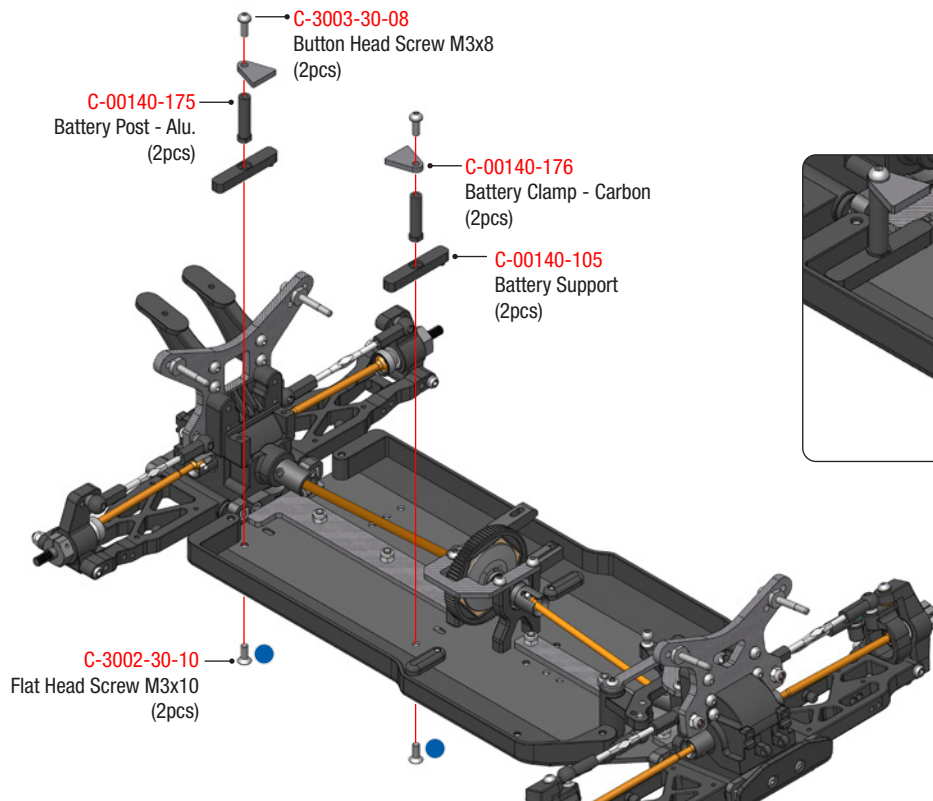
26

BATTERY CLAMP INSTALLATION

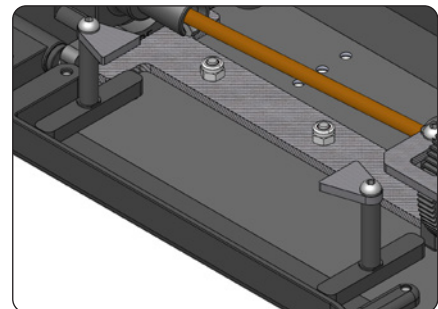
INSTALLATION DU BLOCAGE DE L'ACCU • INSTALLING THE BATTERY CLAMP • MONTAGE DER BATTERIEKLEMME



**BAG
19**



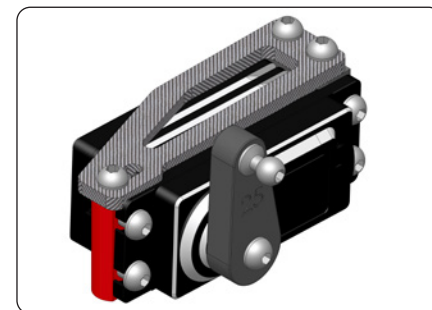
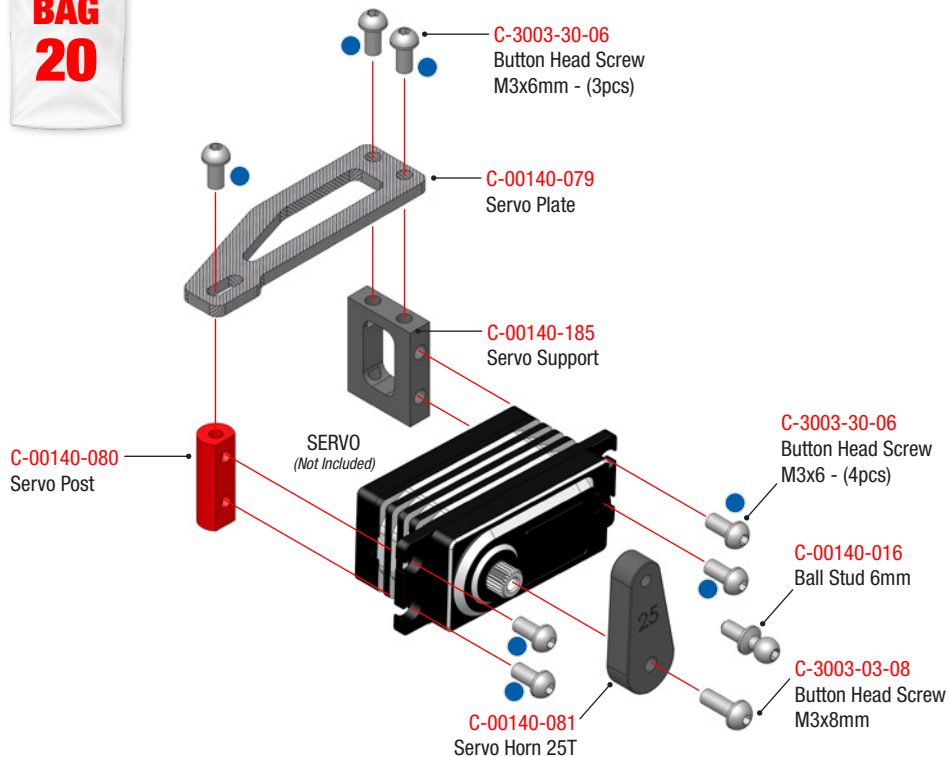
Apply CORALLY
LOCK-IT 100

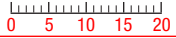


27

STEERING SERVO ASSEMBLY

ASSEMBLAGE DU SERVO DE DIRECTION • STUURSERVO INSTELLING • LENKSERVOMONTAGE

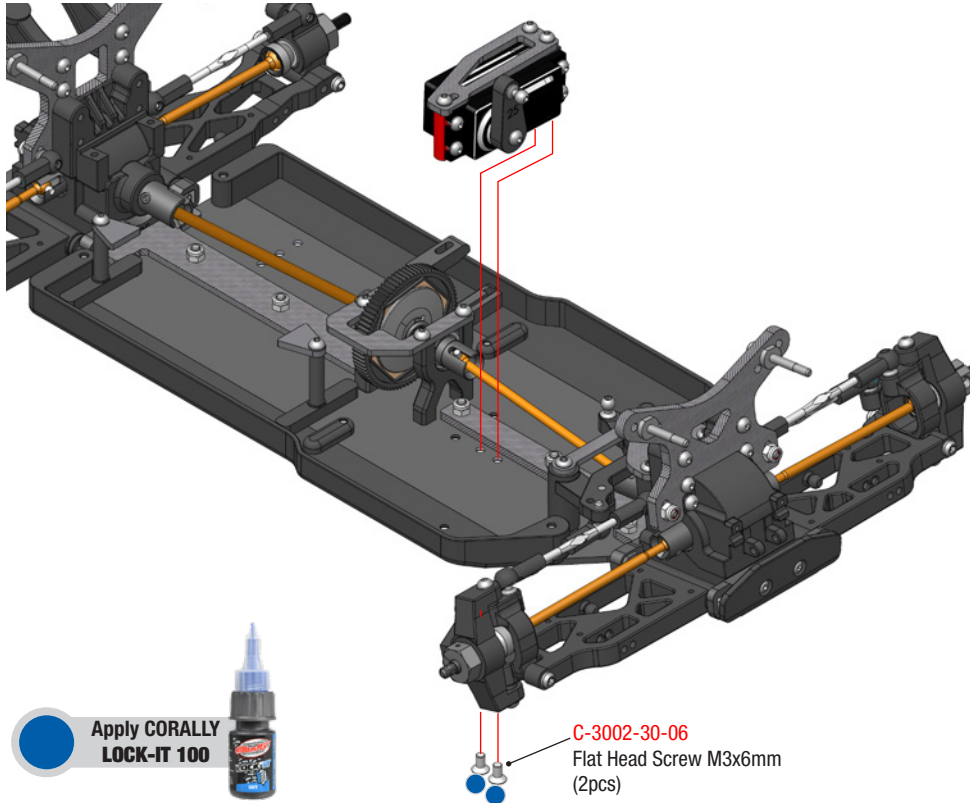




28

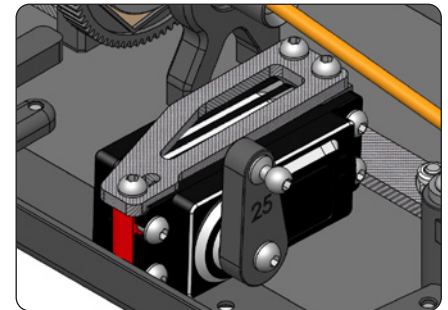
STEERING SERVO INSTALLATION

INSTALLATION DU SERVO DE DIRECTION • STUURSERVO INSTALLATIE • LENKSERVO-EINBAU



Apply CORALLY
LOCK-IT 100

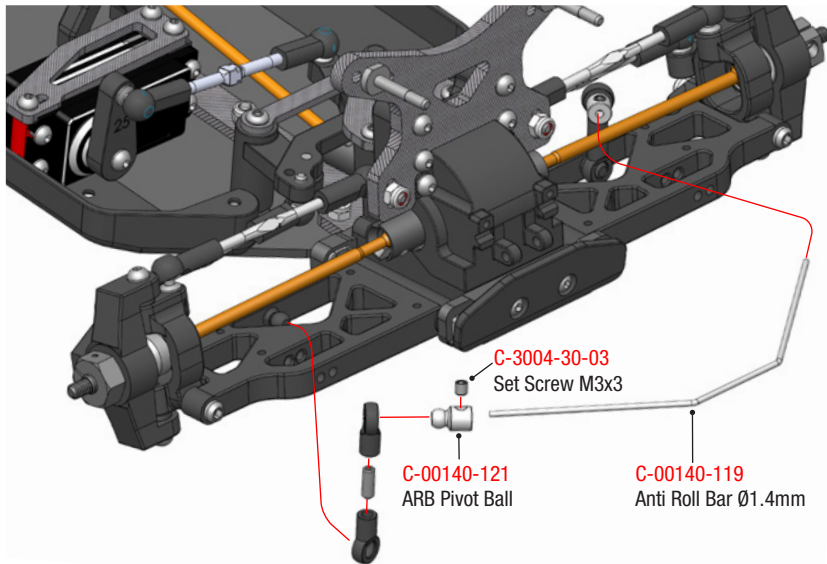
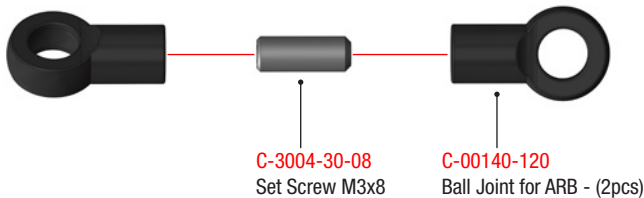
C-3002-30-06
Flat Head Screw M3x6mm
(2pcs)



30

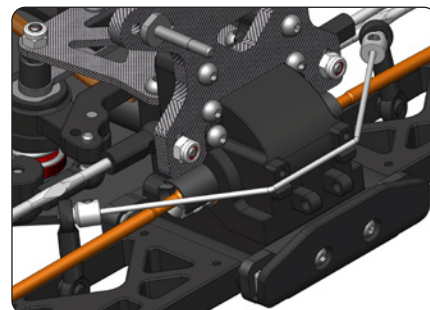
FRONT STABILIZER BAR ASSEMBLY

ASSEMBLAGE DE LA BARRE STABILISATRICE AVANT • VOORSTE STABILISATORSTANG MONTAGE • STABILISATOR VORNE MONTIERT



OPTIONAL PARTS

- C-00140-130 Anti Roll Bar - Ø1.0mm
- C-00140-131 Anti Roll Bar - Ø1.2mm
- C-00140-132 Anti Roll Bar - Ø1.6mm
- C-00140-133 Anti Roll Bar - Ø1.8mm
- C-00140-134 Anti Roll Bar - Ø2.0mm

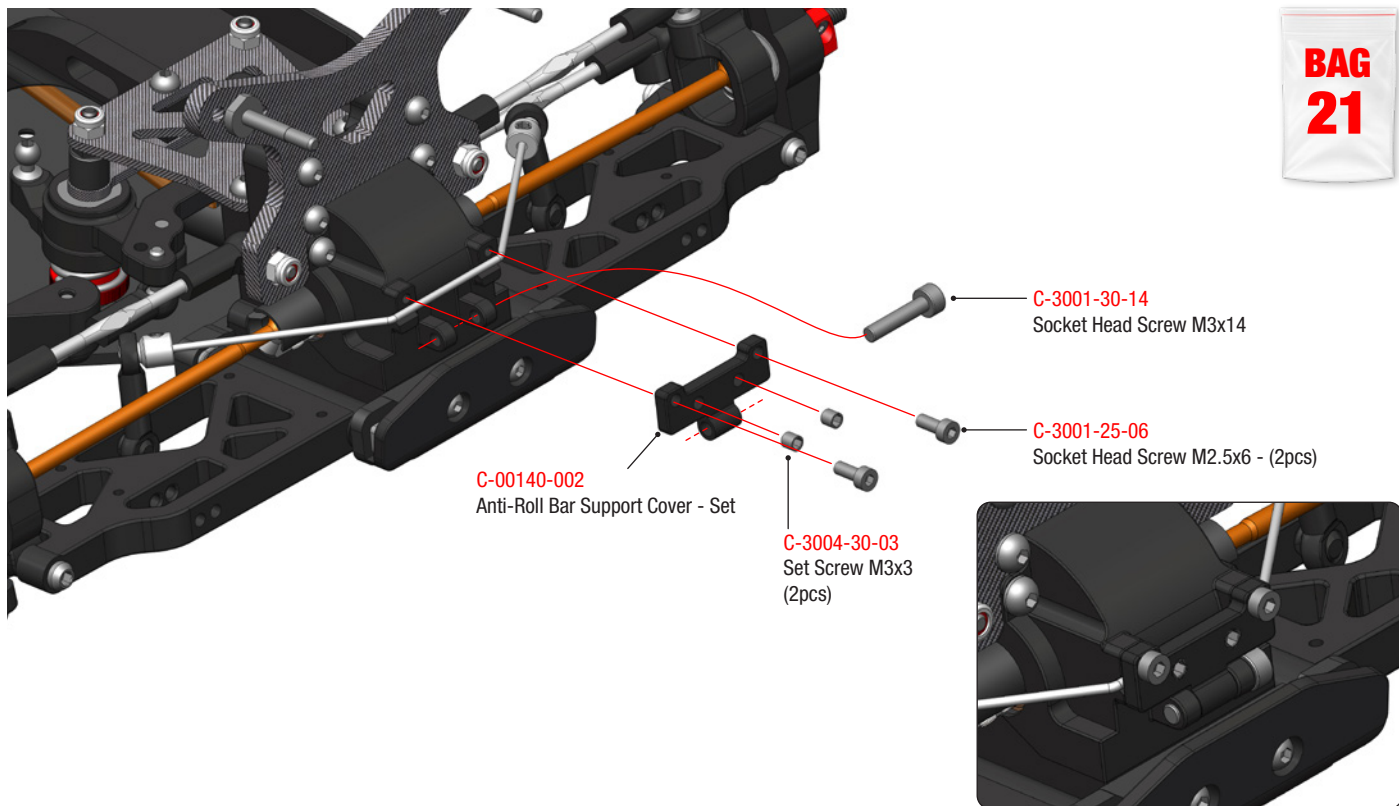


0 5 10 15 20

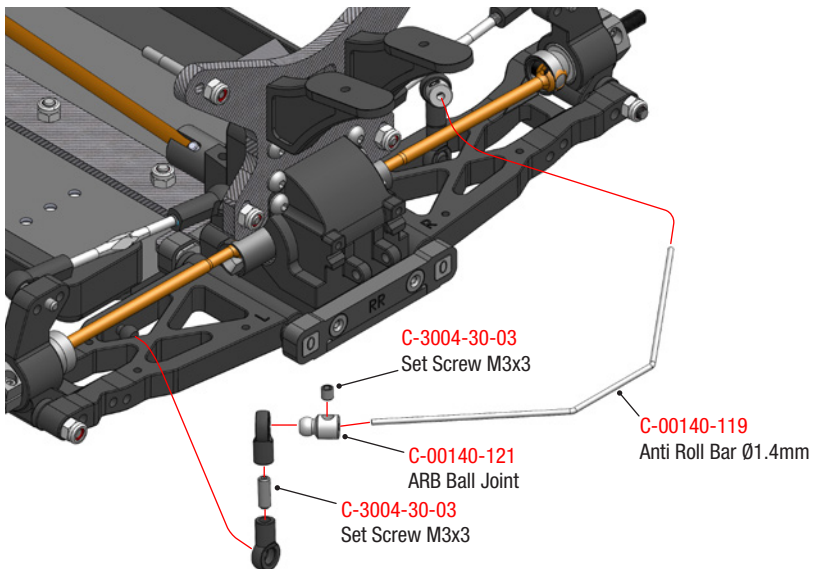
31

FRONT STABILIZER BAR ASSEMBLY

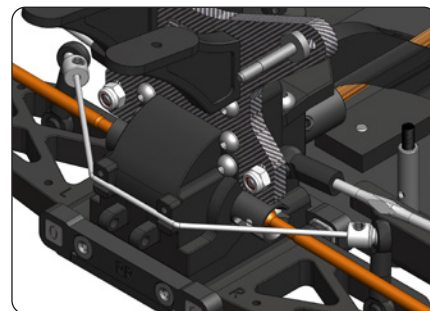
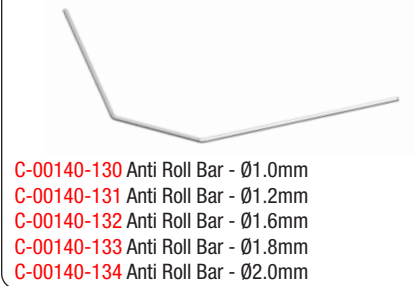
ASSEMBLAGE DE LA BARRE STABILISATRICE AVANT • VOORSTE STABILISATORSTANG MONTAGE • STABILISATOR VORNE MONTIERT



32 **REAR STABILIZER BAR ASSEMBLY**
ASSEMBLAGE DE LA BARRE STABILISATRICE ARRIERE • ACHTERSTE STABILISATORSTANG MONTAGE • STABILISATOR HINTERE MONTIERT



OPTIONAL PARTS

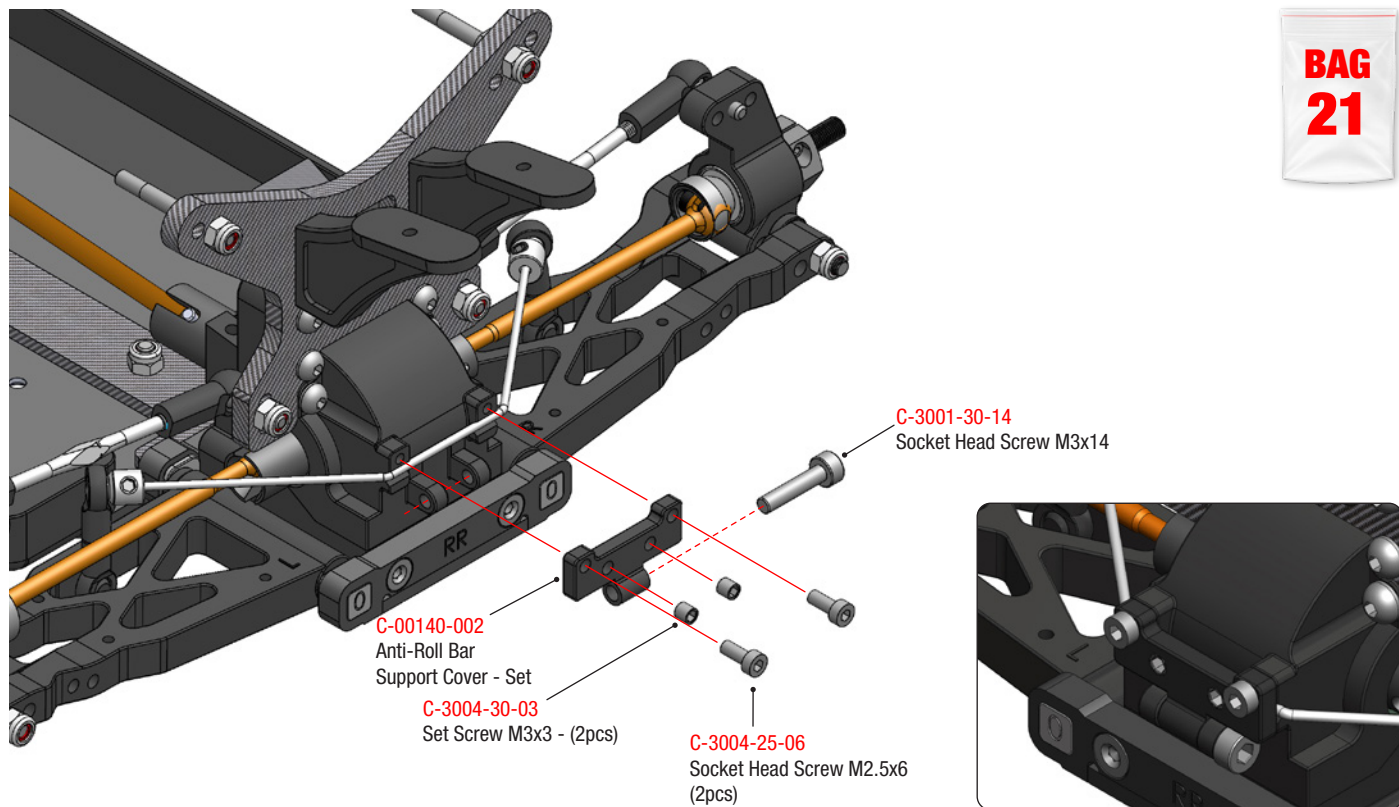


0 5 10 15 20

33

REAR STABILIZER BAR ASSEMBLY

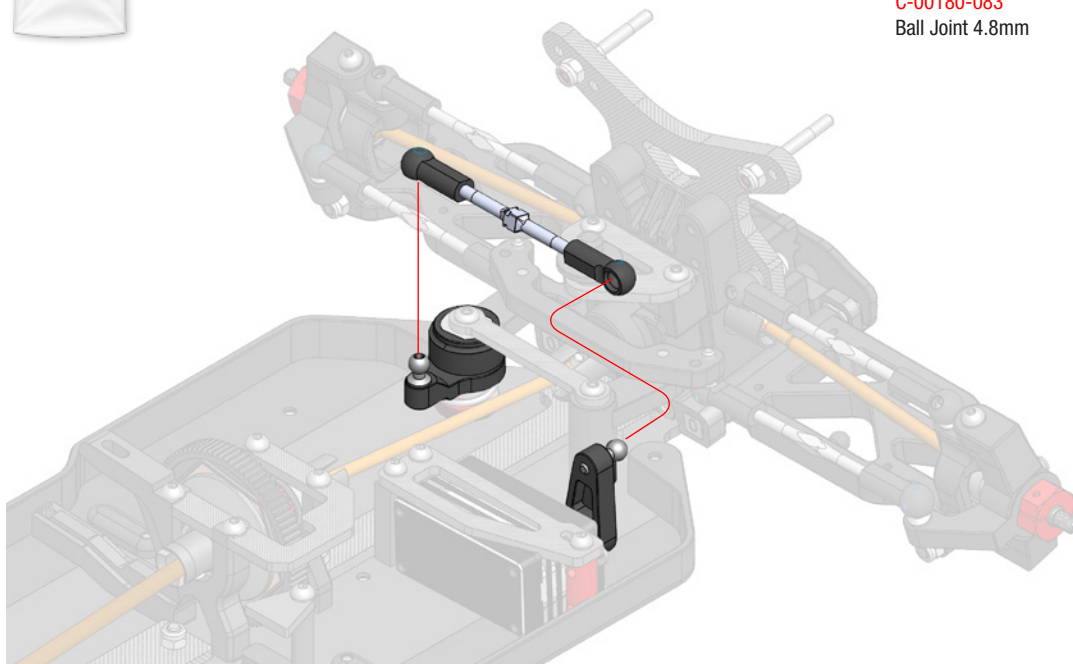
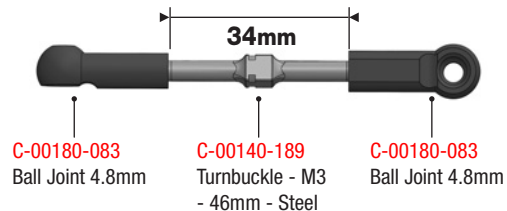
ASSEMBLAGE DE LA BARRE STABILISATRICE ARRIERE • ACHTERSTE STABILISATORSTANG MONTAGE • STABILISATOR HINTERE MONTIERT



34

STEERING LINK ASSEMBLY

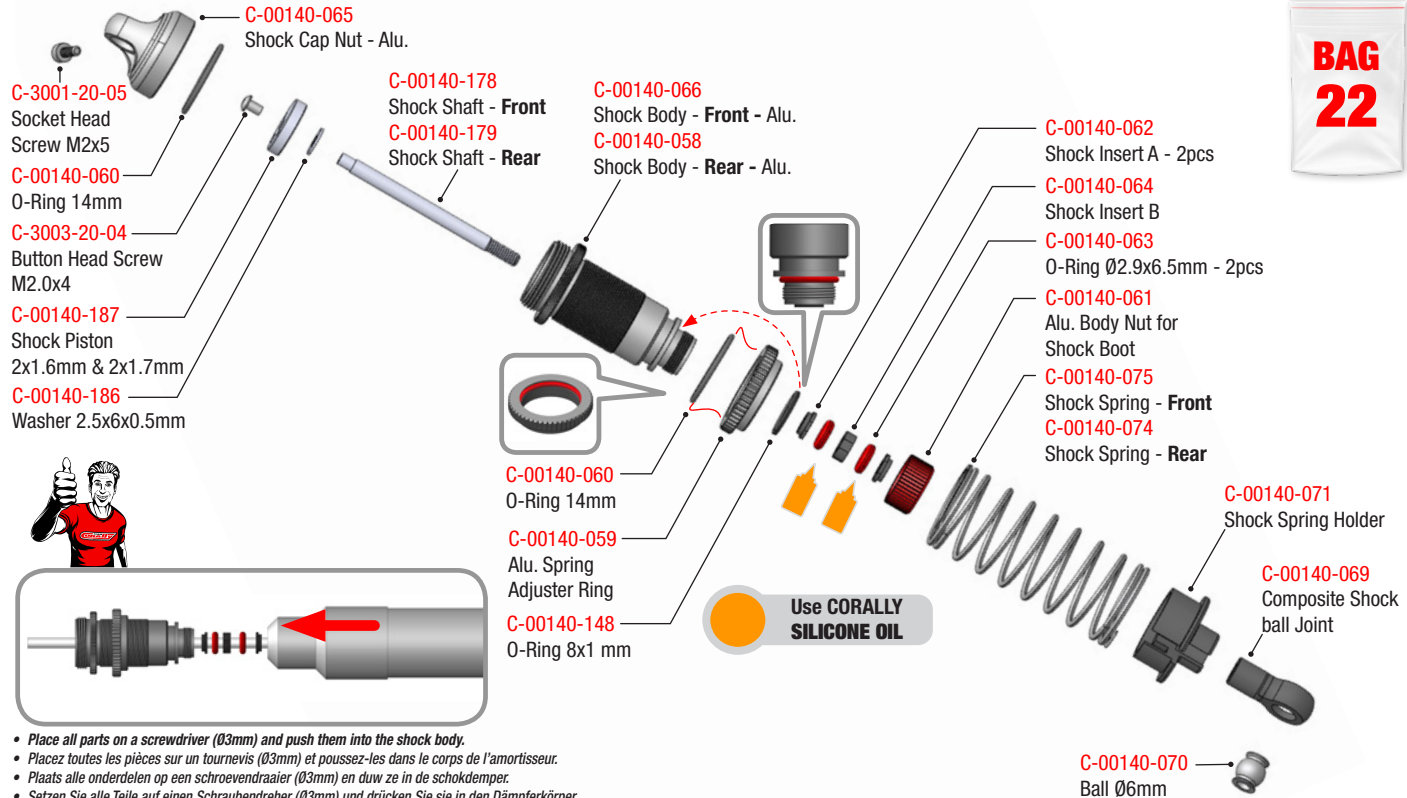
ASSEMBLAGE DE LA BIELLETTE DE DIRECTION • STUURSTANGASSEMBLAGE • LENKGESTÄNGE



35

SHOCK ABSORBER ASSEMBLY

ASSEMBLAGE DE L'AMORTISSEUR • SCHOKDEMPEMONTAGE • STOSSDÄMPFER



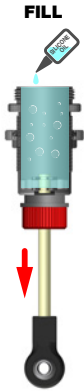
- Place all parts on a screwdriver (Ø3mm) and push them into the shock body.
- Placez toutes les pièces sur un tournevis (Ø3mm) et poussez-les dans le corps de l'amortisseur.
- Plaats alle onderdelen op een schroevendraaier (Ø3mm) en duw ze in de schokdemper.
- Setzen Sie alle Teile auf einen Schraubendreher (Ø3mm) und drücken Sie sie in den Dämpferkörper.

SHOCK ABSORBER FILLING

REMPLISSAGE DE L'AMORTISSEUR • SCHOKDEMPELVULLING • STOSSDÄMPFERFÜLLUNG

FRONT : Fill with Silicone Oil 50wt

REAR: Fill with Silicone Oil 35wt



- Fill the shock with silicone oil.

• Remplissez l'amortisseur avec de l'huile de silicone.

• Füllen Sie den Dämpfer mit Silikonöl.

• Vul de schokdemper met siliconenolie.

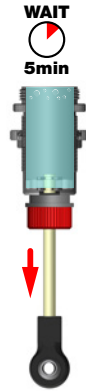


- Move the piston up&down (3-4x) to release the air bubbles in the silicone oil.

• Déplacez le piston de haut en bas (3-4x) pour libérer les bulles d'air.

• Bewegen Sie den Kolben nach oben&unten (3-4x), um die Luftblasen abzulassen.

• Beweeg de zuiger op en neer (3-4x) om de luchtbel-len te laten ontsnappen.

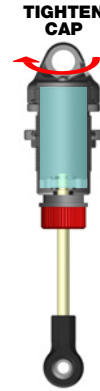


- Pull the shock shaft down and wait until the bubbles rise to the surface.

• Tirez la tige d'amortisseur vers le bas et attendez que les bulles remontent à la surface.

• Ziehen Sie die Schockwelle nach unten und warten Sie, bis die Blasen an die Oberfläche steigen.

• Trek de Schokas naar beneden en wacht tot de luchtbel-len naar de opper-vlakte stijgen.

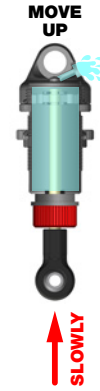


- Screw in the shock absorber cap at 50%.

• Vissez le bouchon d'amortisseur à 50%

• Schrauben Sie die Stoßdämpferkappe zu 50 % ein.

• Schroef de dop van de schokdemper op 50%.



- Gently move the piston in upper position, the oil excess will flow out.

• Déplacez doucement le piston en position haute, l'excédent d'huile s'écoulera.

• Bewegen Sie den Kolben vorsichtig in die obere Position, das überschüssige Öl fließt dann heraus.

• Beweeg de piston langzaam in de bovenste positie, de overtollige olie zal eruit stromen.



- Now install and tighten the screw.

• Maintenant, installez et serrez la vis.

• Bringen Sie nun die Schraube an und ziehen Sie sie fest.

• Monteer nu de schroef en draai deze vast.

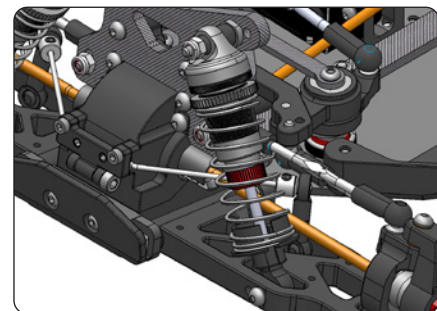
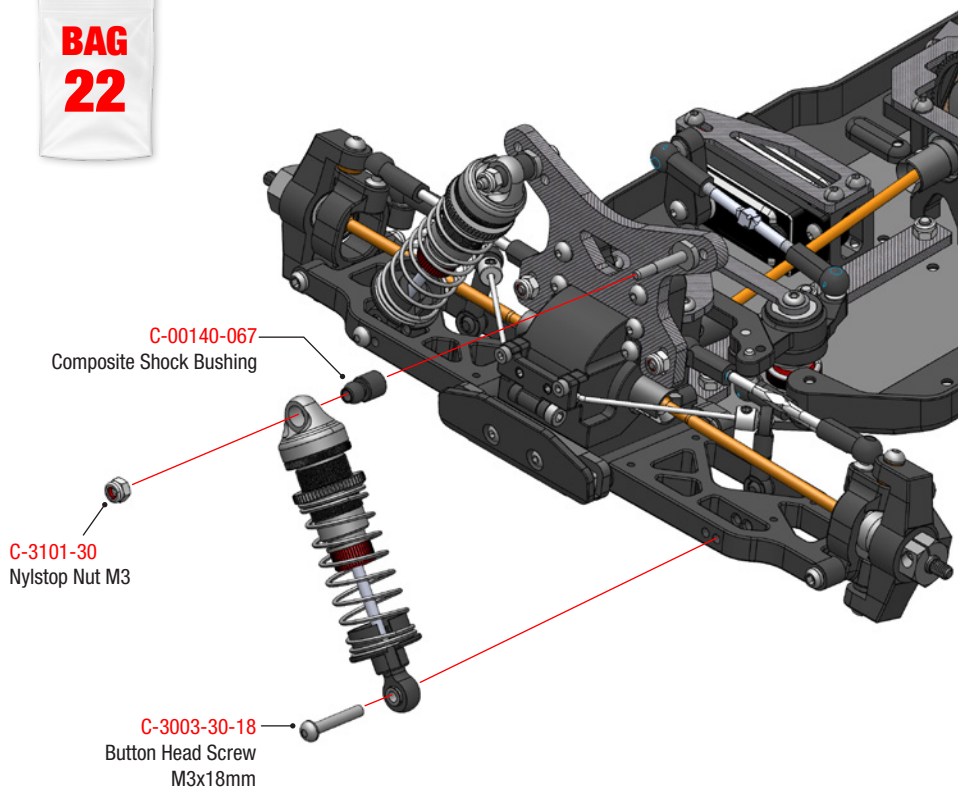




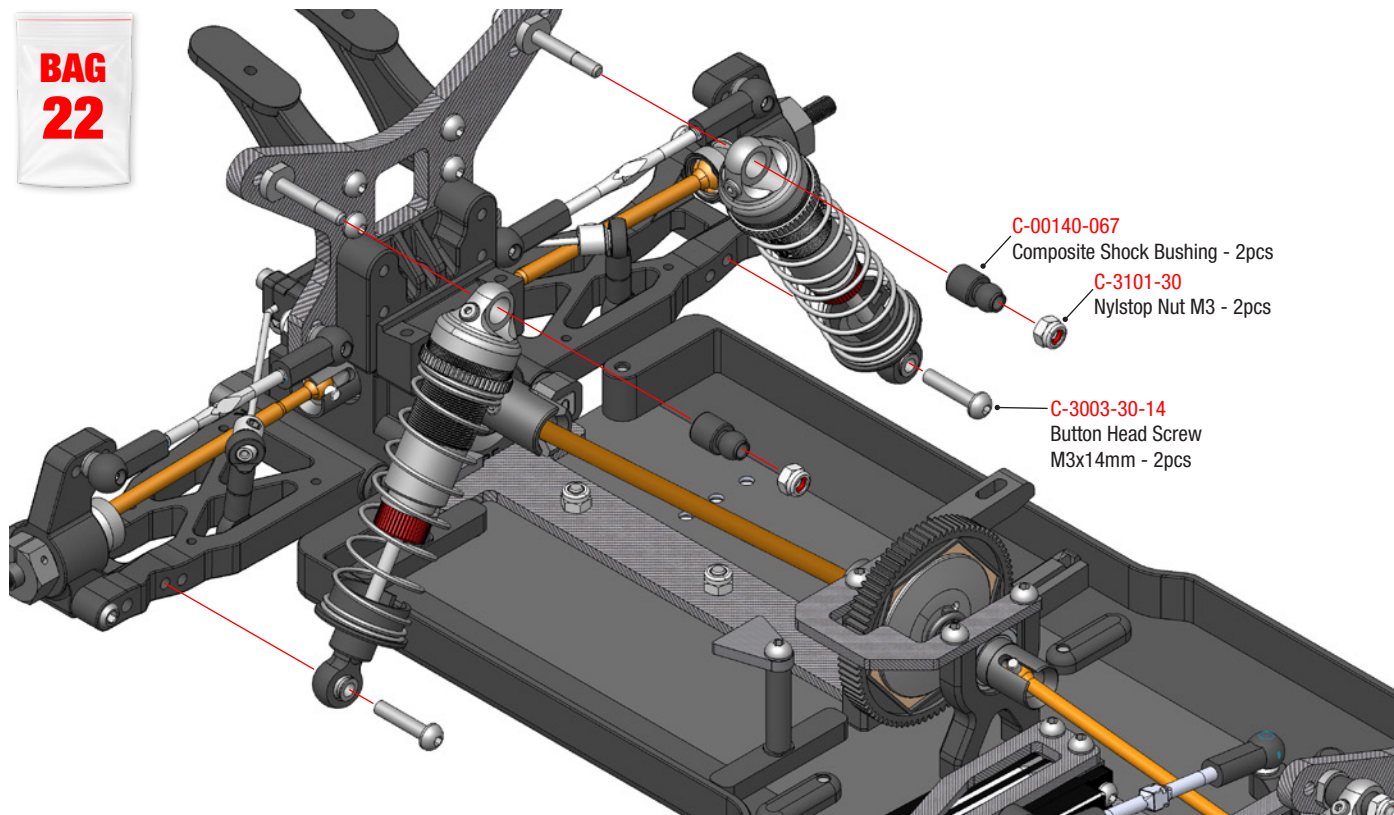
36

FRONT SHOCK ABSORBER INSTALLATION - L & R

INSTALLATION DE L'AMORTISSEUR AVANT - G ET D • MONTAGE VOORSTE SCHOKDEMPER - L & R • EINBAU DER VORDEREN STOSSDÄMPFER - L & R



37 **REAR SHOCK ABSORBER INSTALLATION - L & R**
INSTALLATION DE L'AMORTISSEUR ARRIERE - G ET D • MONTAGE ACHTERSTE SCHOKDEMPER - L & R • EINBAU DES HINTEREN STOSSDÄMPFER - L & R



38

REAR WING INSTALLATION

INSTALLATION DE L'AILERON ARRIÈRE • MONTAGE VAN DE REAR WING - L & R • EINBAU REAR WING

C-00140-17
Body Post - Fr/Re -
Composite - 1 Set

C-3003-30-12
Button Head Screw
M3x12mm - 2pcs

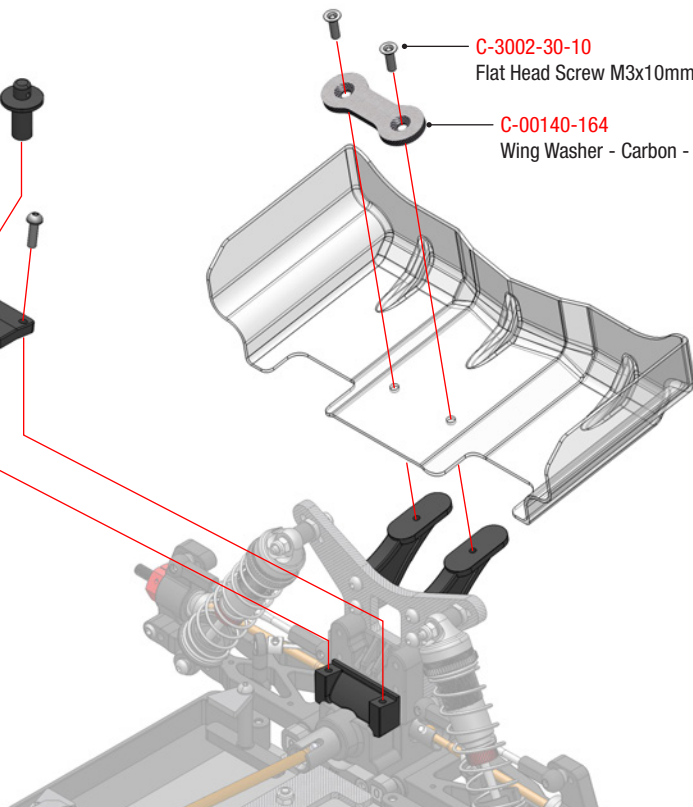
C-00140-88
Body Post Plate -
Composite

C-3003-30-08
Button Head Screw
M3x8mm

C-3002-30-10
Flat Head Screw M3x10mm - 2pcs

C-00140-164
Wing Washer - Carbon - 1pc

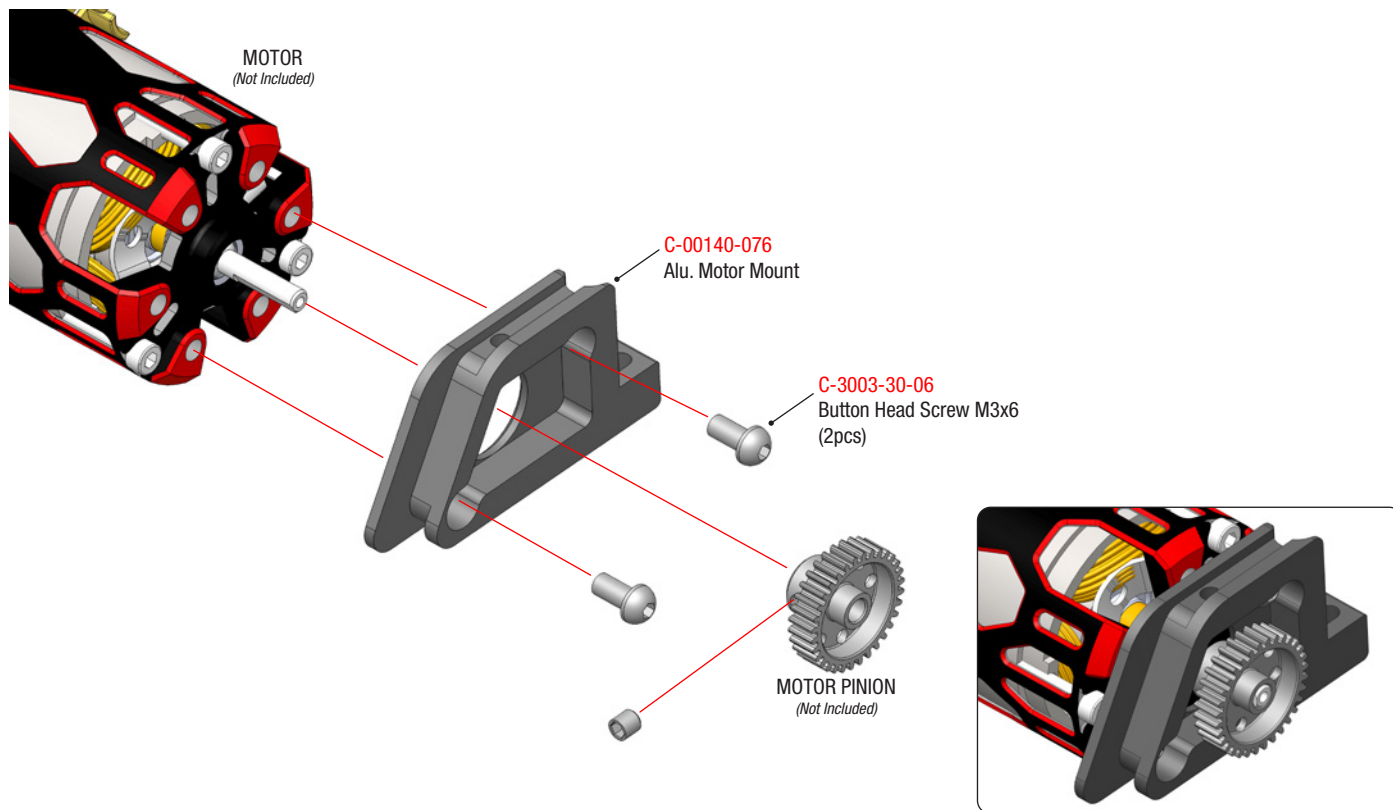
C-00140-082
Rear Wing - Clear - Polycarbonate



39

MOTOR INSTALLATION

INSTALLATION DU MOTEUR • MOTORINSTALLATIE • MOTORINSTALLATION



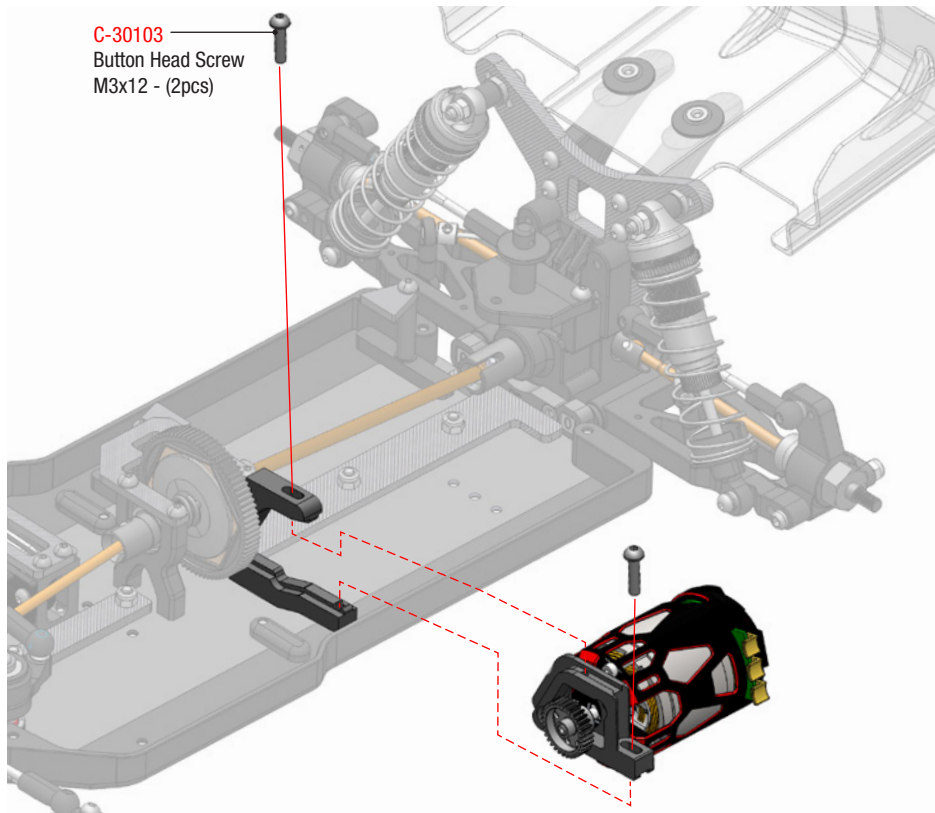
40

MOTOR INSTALLATION

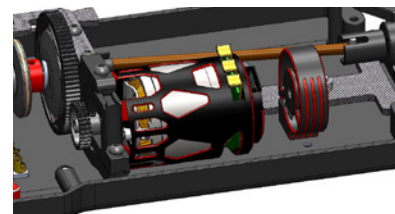
INSTALLATION DU MOTEUR • MOTORINSTALLATIE • MOTORINSTALLATION

C-30103

Button Head Screw
M3x12 - (2pcs)



OPTION PART



C-53115-2

Ultra High Speed Cooling Fan XF-30 w/BEC connector - 30mm - Black - Silver - Aluminium



C-53115-1

Ultra High Speed Cooling Fan XF-30 w/BEC connector - 30mm - Black - Red - Aluminium

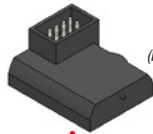
41

ELECTRONICS CONFIGURATION

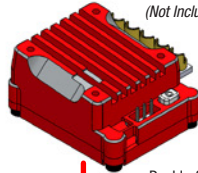
CONFIGURATION DE L'ÉLECTRONIQUE • CONFIGURATIE VAN DE ELEKTRONICA • ELEKTRONIK-KONFIGURATION



C-13100
Double-sided Mounting Tape -
20mm x 1,5M - Acrylic Clear



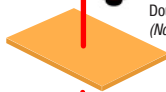
Receiver
(Not Included)



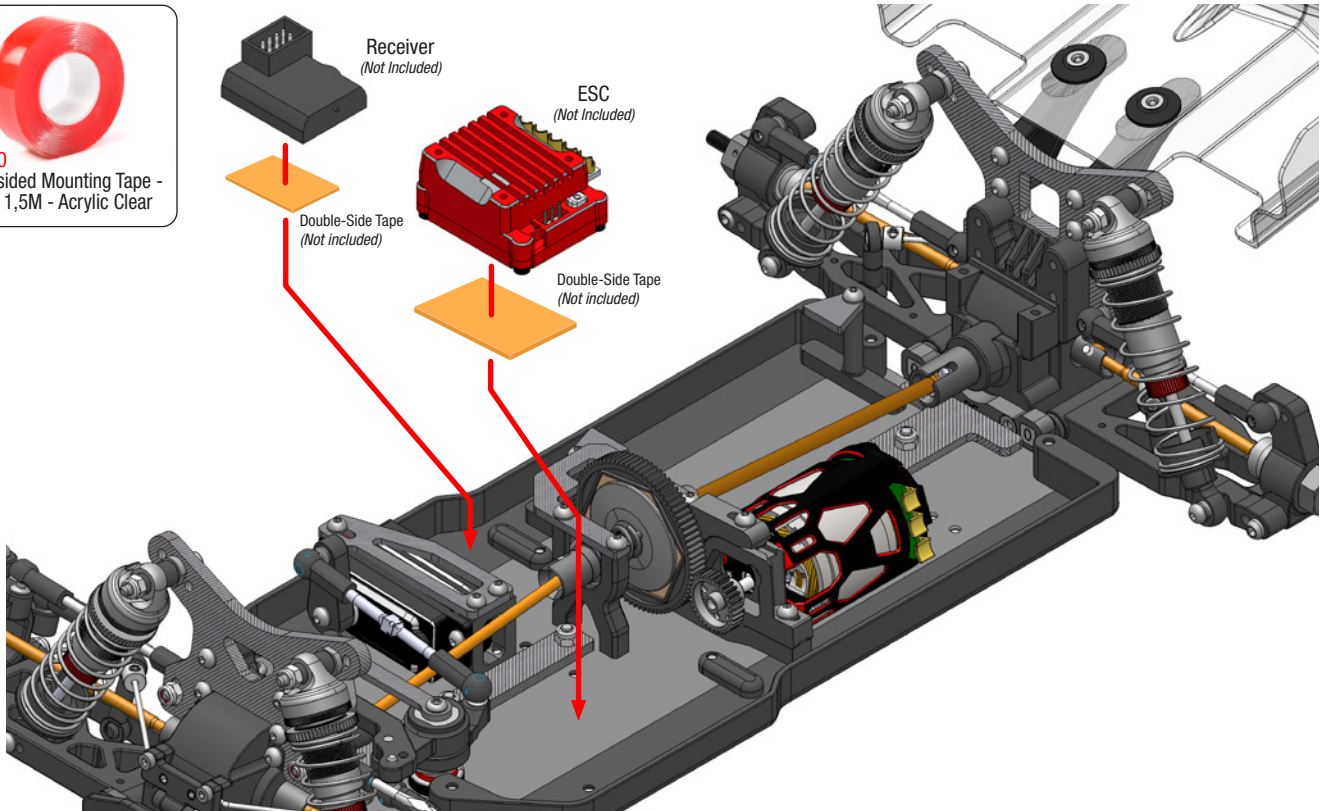
ESC
(Not Included)



Double-Side Tape
(Not included)



Double-Side Tape
(Not included)

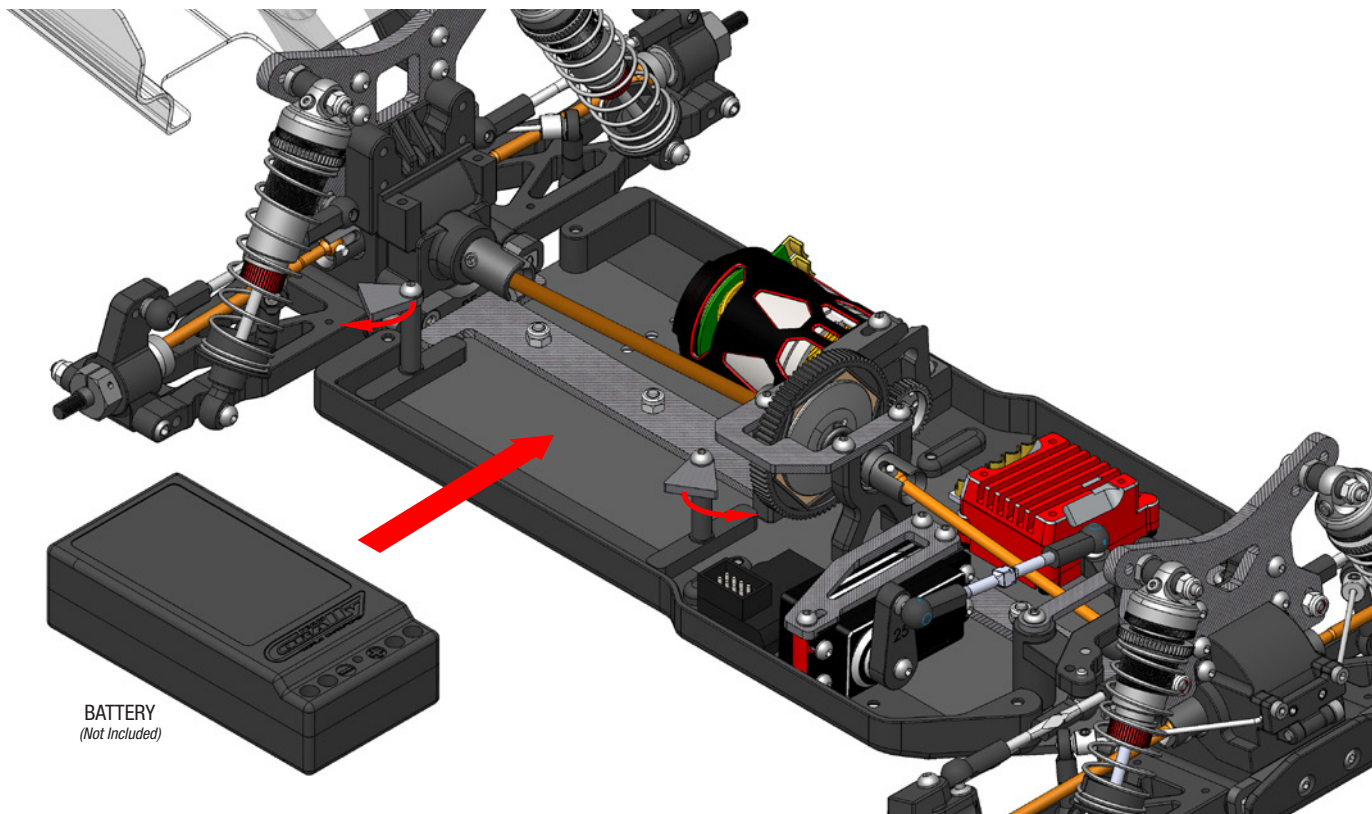


0 5 10 15 20

42







BATTERY INSTALLATION

INSTALLATION DE LA BATTERIE • BATTERIJ INSTALLATIE • BATTERIEANLAGE















BATTERY
(Not Included)







	C-00140-002	Diff Bulkhead Block - Composite 1 Set
	C-00140-003	Servo Saver Pivot Shaft - Steel - 2pcs
	C-00140-004	Servo Saver - Composite - 1 set
	C-00140-007	Servo Saver Main Shaft - Alu. - 1pc
	C-00140-008	Servo Saver Spring - 1pc
	C-00140-009-B	Servo Saver Nut - Alu. - 1pc

	C-00140-011	Steering Plate Bushing - Steel - 2pcs
	C-00140-012	Steering Plate - Composite - 1pc
	C-00140-013	Centre Outdrive Adapter - Steel - 1pc
	C-00140-015	Servo Saver Stiffener - Carbon 2mm - 1pc
	C-00140-016	Ball End Dia. 4.8mm - Thread 6mm - Steel - 4pcs
	C-00140-017	Body Post - Composite - Front/ Rear - 1 Set

	C-00140-019	Lower Suspension Arm Holder - Alu. 7075 - FR - 1pc
	C-00140-020	Lower Suspension Arm Holder - Alu. 7075 - FF - 1pc
	C-00140-021	Shock Pivot Ball Screw - Steel - 2pcs
	C-00140-023	Lower Suspension Arm Holder - Alu. 7075 - RF - 1pc
	C-00140-024	Lower Suspension Arm Holder - Alu. 7075 - RR - 1pc
	C-00140-025	Wing Mount - Composite - 2pcs

	C-00140-028	Chassis Side Guards - Composite - Left/Right - 1 Set
	C-00140-030	Ball End Dia. 4.8mm - Thread 8mm - Steel - 4pcs
	C-00140-031	Gear Diff Case - Composite - 1pc
	C-00140-032	O-Ring - Silicone - 5x8.5mm - 10pcs
	C-00140-033	Diff. Shim Rings - Steel - 5x15x0.4mm - 4pcs
	C-00140-034	Planetary Diff. Gears - Steel 1 Set








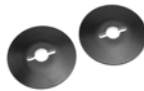


	C-00140-035	Gear Diff. Outdrive Adapter - Steel 2pcs		C-00140-042	Bevel Gear 14T - Steel - 1pc
	C-00140-036	Gear Diff. Outdrive Adapter Pin - Steel - 2x9.8mm - 4pcs		C-00140-043	Suspension Arm Holder Eccentric Bushing Composite : 0° • 0,5° • 1° - 1 Set
	C-00140-037	Gear Diff. Pin - Alu. Hard Coated 2pcs		C-00140-045	Suspension Arm Pivot Pin - Inner - Steel - 2pcs
	C-00140-039	Diff. Shim Rings - Steel - 3x9x- 0.4mm - 4pcs		C-00140-046	Suspension Arm - Composite - Front - 1pc
	C-00140-040	Diff. Gasket - 4pcs		C-00140-047	Suspension Arm - Composite - Rear - Right - 1pc
	C-00140-041	Diff. Bevel Gear 35T - Steel - 1pc		C-00140-048	Suspension Arm - Composite - Rear - Left - 1pc



	C-00140-049	Bumper - Composite - Front - 1pc
	C-00140-050	C-Hub 9° Deg - Composite - Right - 1pc
	C-00140-051	C-Hub 9° Deg - Composite - Left - 1pc
	C-00140-052	Suspension Arm Pivot Screw - Outer - Steel - 2pcs
	C-00140-053	Steering Block - Composite - 1pc
	C-00140-054	Steering Block Bushing - Steel - 2pcs







	C-00140-055	Wheel Hub - Rear - Composite - 1pc
	C-00140-056	Ball Joint 4.8mm - 4pcs
	C-00140-057	Turnbuckle - 54mm - Steel - 2pcs
	C-00140-058	Shock Body - Alu. 7075 - Rear - 2pcs
	C-00140-059	Shock Body Spring Adj. Nut - Alu. - 2pcs
	C-00140-060	O-ring - Rubber - 14x1mm - 4pcs





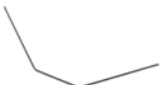

	C-00140-061	Shock Body Cap - Lower - Alu. - 2pcs
	C-00140-062	Shock Insert A 4pcs
	C-00140-063	Shock Body O-Ring - Silicone - 2.9x6.5mm - 10pcs
	C-00140-065	Shock Body Cap - Top - Alu. - 2pcs
	C-00140-066	Shock Body - Alu. 7075 - Front - 2pcs
	C-00140-067	Shock Bushing - Composite - 4pcs

	C-00140-069	Shock Ball Joint - Composite - 4pcs
	C-00140-070	Shock Pivot Ball 5.9mm - Alu. - 4pcs
	C-00140-071	Shock Spring Holder - Composite - 4pcs
	C-00140-074	Shock Spring - Black - Medium - Rear - 2pcs
	C-00140-075	Shock Spring - Black - Medium - Front - 2pcs
	C-00140-076	Motor Mount - Alu. 7075 - Part B - 1pc


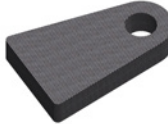




	C-00140-077	Wheel Hex Adapter - Alu. - 4pcs		C-00140-086	"Flextec" Rim - 4WD - Front - Hex 12mm - 2pcs
	C-00140-080	Servo Post - Alu - 1pc		C-00140-088	Plate for Rear Chassis Brace - Composite - 1pc
	C-00140-081	Servo Horn - Composite - 1pc		C-00140-090	Slipper Clutch Shaft - Steel - 1pc
	C-00140-082	Wing - Clear - Polycarbonate - 1pc		C-00140-091	Pin - Steel - 2x11mm - 4pcs
	C-00140-083	Ball Joint 4.8mm - Short - 4 pcs		C-00140-092	Slipper Clutch Plate - Alu. - 2pcs
	C-00140-085	"Flextec" Rim - 2WD/4WD - Rear - Hex 12mm - 2pcs		C-00140-093	Spur Gear 48DP - 81 Teeth - Composite - 1pc

	C-00140-094	Slipper Clutch Pad - Composite - 2pcs
	C-00140-095	Slipper Clutch Spring - 1pc
	C-00140-096	Slipper Clutch Nut - Alu. - 1pc
	C-00140-097	Slipper Clutch Outdrive Adapter - Steel - 1pc
	C-00140-098	Pin - Steel - 2x8mm - 4pcs
	C-00140-100	Body - Clear - Polycarbonate - 1pc

	C-00140-103	Wheel Drive Axle CVD - Front - Steel - 1pc
	C-00140-104	Wheel Drive Axle CVD - Rear - Steel - 1pc
	C-00140-105	Battery Lock - Composite - 2pcs
	C-00140-109	Centre Drive Shaft - Front - 82mm - Steel - Black - 1pc
	C-00140-110	Centre Drive Shaft - Rear - 97mm - Steel - Black - 1pc
	C-00140-111	Drive Shaft Safety Collar - Alu. - 2pcs

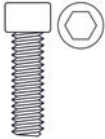


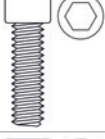


	C-00140-112	Drive Shaft Coupling - Steel - 2pcs
	C-00140-114	Drive Shaft for CVD - Front - 84mm - Steel - Black - 1pc
	C-00140-115	Chassis Plate for Rear Chassis Brace - Composite - 1pc
	C-00140-117	Spacer - 3x8x2mm - 4pcs
	C-00140-119	Anti-Roll Bar - 1.4mm - 1pc
	C-00140-120	Ball Joint 4.8mm - for Anti-Roll Bar - Composite - 4pcs


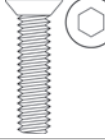
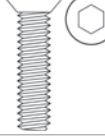


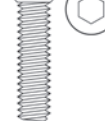
	C-00140-121	Ball End 4.8mm - for Anti Roll Bar - Alu. - 4pcs
	C-00140-148	O-ring - Rubber - 8x1mm - 4pcs
	C-00140-164	WIng Washer - Carbon - 1pc
	C-00140-171	Chassis - Alu. 7075 - 1pc
	C-00140-172	Chassis Stiffener- Front - Carbon 3mm - 1pc
	C-00140-173	Chassis Stiffener- Rear - Carbon 3mm - 1pc


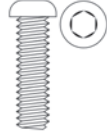
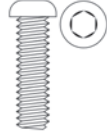
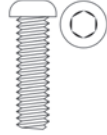
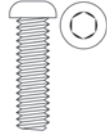
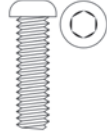
	C-00140-175	Battery Post - Aluminium - 1pc
	C-00140-176	Battery Clamp - Carbon 2.5mm - 1pc
	C-00140-177	Servo Plate - Carbon 2.5mm - 1pc
	C-00140-178	Shock Shaft - Front - 2pcs
	C-00140-179	Shock Shaft - Rear - 2pcs
	C-00140-180	Centre Diff. Support - Aluminium - 1pc


	C-00140-181	Motor Mount - Aluminium - 1pc
	C-00140-183	Drive Shaft - Rear - 64.5mm - Spring Steel - Black - 1pc
	C-00140-184	Centre Diff. Plate - Carbon 2.5mm - 1pc
	C-00140-185	Servo Support - Aluminium - 1pc
	C-00140-186	Washer 2.6x6x0.5mm - Steel - 4pcs
	C-00140-187	Shock Piston - 2x1.6mm - 2pcs Shock Piston - 2x1.7mm - 2pcs

	C-00140-189	Turnbuckle 46mm - Steel - 2pcs		C-3611-3-10-15-40	Ball Bearing - Abec 3 10x15x4mm 4pcs
	C-00140-204	Body Support Plate - Carbon 2.5mm - 1pc		C-3101-30	Steel Nylstop Nut M3 - 10pcs
	C-00140-205	Body Decal Sheet - SBX-425		C-3101-30-6	Steel Nylstop Nut M3 - Black - 10pcs
	C-3611-1-05-08-25	Ball Bearing - Abec 3 5x8x2.5mm 4pcs		C-3102-50-6	Steel Nylstop Nut - Flanged - M4 - Black 10pcs
	C-3611-3-05-10-40	Ball Bearing - Abec 3 5x10x4mm 4pcs		C-3004-30-03	Steel Set Screw M3x3mm
	C-3611-3-05-11-40	Ball Bearing - Abec 3 5x11x4mm 4pcs		C-3004-30-08	Steel Set Screw M3x8mm



	C-3004-30-20	Steel Set Screw M3x20mm
	C-3004-40-04	Steel Set Screw M4x4mm
	C-3001-20-05	Socket Head Screw DIN 912 M2 x 5mm 10pcs
	C-3001-16-06	Socket Head Screw DIN 912 M1.6 x 6mm 10pcs
	C-3001-20-06	Socket Head Screw DIN 912 M2 x 6mm 10pcs
	C-30030	Socket Head Screw DIN 912 M2.5 x 6mm 10pcs

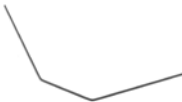
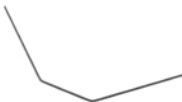
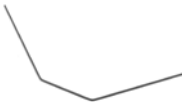
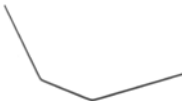
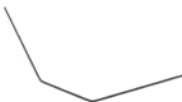

	C-3001-30-14	Socket Head Screw DIN 912 M3 x 14mm 10pcs
	C-3002-25-08	Flat Head Screw DIN 7991 M2.5 x 8mm 10pcs
	C-3002-30-06	Flat Head Screw DIN 7991 M3 x 6mm 10pcs
	C-3002-30-08	Flat Head Screw DIN 7991 M3 x 8mm 10pcs
	C-3002-30-10	Flat Head Screw DIN 7991 M3 x 10mm 10pcs
	C-3002-30-12	Flat Head Screw DIN 7991 M3 x 12mm 10pcs

	C-3003-30-06	Button Head Screw DIN 7380 M3 x 6mm 10pcs
	C-3003-30-08	Button Head Screw DIN 7380 M3 x 8mm 10pcs
	C-3003-30-10	Button Head Screw DIN 7380 M3 x 10mm 10pcs
	C-3003-30-12	Button Head Screw DIN 7380 M3 x 12mm 10pcs
	C-3003-30-14	Button Head Screw DIN 7380 M3 x 14mm 10pcs
	C-3003-30-18	Button Head Screw DIN 7380 M3 x 18mm 10pcs

	C-32151-T	E-clips Ø2.3mm 10pcs


OPTION PARTS

	C-00140-126	Suspension Arm Stiffener - Carbon - Rear Right - 1pc
	C-00140-127	Suspension Arm Stiffener - Carbon - Rear Left - 1pc
	C-00140-128	Suspension Arm Stiffener - Carbon - Front Right - 1pc
	C-00140-129	Suspension Arm Stiffener - Carbon - Front Left - 1pc

	C-00140-130	Anti-Roll Bar - 1.0mm - 1pc
	C-00140-131	Anti-Roll Bar - 1.2mm - 1pc
	C-00140-132	Anti-Roll Bar - 1.6mm - 1pc
	C-00140-133	Anti-Roll Bar - 1.8mm - 1pc
	C-00140-134	Anti-Roll Bar - 2.0mm - 1pc
	C-00140-135	Slipper Clutch Pad - Carbon - 2pcs

	C-00140-137-78	Spur Gear 48DP - Slipper - 78 Teeth - Delrin - CNC Cut - 1pc
	C-00140-137-81	Spur Gear 48DP - Slipper - 81 Teeth - Delrin - CNC Cut - 1pc
	C-00140-137-84	Spur Gear 48DP - Slipper - 84 Teeth - Delrin - CNC Cut - 1pc
	C-00140-138	Shock Spring - Black - Soft - Rear - 2pcs
	C-00140-139	Shock Spring - Black - Hard - Rear - 2pcs
	C-00140-140	Shock Spring - Black - Soft - Front - 2pcs

	C-00140-141	Shock Spring - Black - Hard - Front - 2pcs
	C-00140-147	Steering Plate - Alu. - 1pc
	C-00140-149	Servo Saver Arm - Alu. - Part B - 1pc
	C-00140-156-78	Spur Gear 48DP - Centre Diff - 78 Teeth - Delrin - CNC Cut - 1pc
	C-00140-156-81	Spur Gear 48DP - Centre Diff - 81 Teeth - Delrin - CNC Cut - 1pc
	C-00140-156-84	Spur Gear 48DP - Centre Diff - 84 Teeth - Delrin - CNC Cut - 1pc

	<p>C-53115-1</p>	<p>Ultra High Speed Cooling Fan XF-30 w/BEC connector - 30mm</p>
	<p>C-53115-2</p>	<p>Ultra High Speed Cooling Fan XF-30 w/BEC connector - 30mm</p>
		<p>48 DP Pinion - Short - Hardened Steel</p>



Download the full list of screws and bolts here!

Téléchargez la liste complète de visserie ici !

Laden Sie hier die komplette Liste der Schrauben herunter!

Download hier de volledige lijst met schroeven en bouten!

Tools

Shock Oil - Ultra Pure Silicone.

Available in CPS and WT grades, in 60ml and 150ml



Glue - Threadlock

Cyano glue and threadlocker specially formulated for competitors.



Connectors - Leads

Everything you need for connectors, cables, etc.



Diff Oil - CST grade

Diff Oil - Ultra Pure Silicone. Available in 30ml and 60ml



Shock Oil - CST grade

Shock Oil - Ultra Pure Silicone. Available in 60ml and 150ml



Greases - Lubricants

4 high-quality greases to protect and maintain your car.



Screw Sets

Plastic boxes with a selection of Screws, Nuts, Shims, Washers.



Pinions Module 48DP

Discover our range of Precision CNC-Cut MOD-48DP Pinions



**www.corally.com**

This manual is an edition of Team Corally, Geelseweg 80, B-2250 OLEN (Belgium). This manual is protected by a copyright and nothing from this edition may be reproduced or used without any prior written authorisation. Whilst every effort has been made to ensure the accuracy of the information in this catalogue, errors do creep in and Team Corally can accept no responsibility for failures, wrong specifications, accuracy of colours, losses or damages caused. Team Corally denies any responsibility claims or damages caused by use of our products. Team Corally is not responsible for product changes or availability of our products. The products of dangerous nature included in this manual are submissive to special handling and storage specifications. Please check with your local authorities for existing legislation.

WWW.CORALLY.COM



WWW.CORALLY.COM

Team Corally is a registered trademark licensed to
JSP Group Intl bvba • Geelseweg 80 • B-2250 OLEN • Belgium

Tel: +32 14 25 92 94 • Info@corally.com

WORLD CHAMPIONS